



VOLCANO18

MANUAL SUPPLEMENT

V2



MAN-VOLCANO18V2-2016.3.08

·To ensure that you are using the most recent version of this manual:

<http://www.redcatracing.com/manuals/VOLCANO18V2-MANUAL.pdf>

•To ensure that you have the most recent version of the Electronic Vehicles Manual:

www.redcatracing.com/manuals/ELECTRIC-MANUAL.pdf

WARNING!

READ ALL INSTRUCTIONS INCLUDED WITH VEHICLE BEFORE OPERATING

**AGE WARNING!**

This radio controlled (RC) vehicle is not a toy! You must be 14 years of age or older to operate this vehicle. Adult supervision is required.

**RISK OF RUNAWAY VEHICLE OR INJURY!**

Never turn on the vehicle or plug in the battery pack without first having the controller turned on.

**RISK OF FIRE! / RISK OF EXPLOSION!**

There is a risk of fire and explosion when dealing with batteries. Rechargeable batteries may become hot and catch fire if left unattended or charged too quickly. Use extra caution when charging LiPO batteries. Use only LiPO specific chargers. Use a LiPO safe charging pouch when charging LiPOs. Charge away from flammable materials. Never charge at a rate higher than 1C. {2000Mah pack= 2amps charge rate). Overcharging can lead to fire and explosion. Always store battery packs in a cool dry place.

**RISK OF BURNS!**

The batteries, electronic speed controller (ESC), electric motor, and other areas of the vehicle can get hot. Burns can occur if touched after vehicle operation. Allow adequate time to cool before handling.

**RISK OF ELECTRICAL SHOCK!**

Use caution when charging batteries. Do not touch positive and negative leads together. Do not lay battery on metal. Use only chargers specified for the battery type being charged. Keep batteries and chargers away from water.

**RISK OF INJURY!**

Hobby grade RC vehicles can cause serious injury or death if not operated correctly. Never use vehicle in crowds. Never chase people or animals. Drive in safe open areas only. Keep body parts away from moving parts.

**RISK OF DAMAGE!**

Never operate RC vehicles on public roads. Damage of vehicle and property can occur. Only operate on open private property. Never charge the battery pack while it is still plugged into the RC vehicle. Always unplug the battery pack from the electronic speed controller (ESC) and remove the battery from the RC vehicle before charging. Failure to do so will result in damage to the vehicle's electronics.

**WARNING!**

Do not mix old and new batteries. Do not mix alkaline, lithium, standard (carbon zinc), or rechargeable (nickel cadmium) batteries. Do not charge or charge batteries in a hazardous location.



FCC Compliance Statement! The radio included with your vehicle complies with part 15 of the FCC Rules. Operation is subject to the following two conditions: (1) This device may not cause harmful interference, and (2) This device must accept any interference received, including interference that may cause undesired operations. Note: This equipment has been tested and found to comply with the limits for a Class B digital device, pursuant to Part 15 of the FCC Rules. These limits are designed to provide reasonable protection against harmful interference in a residential installation. This equipment generates, uses and can radiate radio frequency energy and, if not installed and used in accordance with the instructions, may cause harmful interference to radio communications. However, there is no guarantee that interference will not occur in a particular installation. If this equipment does cause harmful interference to radio or television reception, which can be determined by turning the equipment off and on, the user is encouraged to try to correct the interference by one of the following measures:

Reorient or relocate the receiving antenna.

Increase the separation between the equipment and receiver.

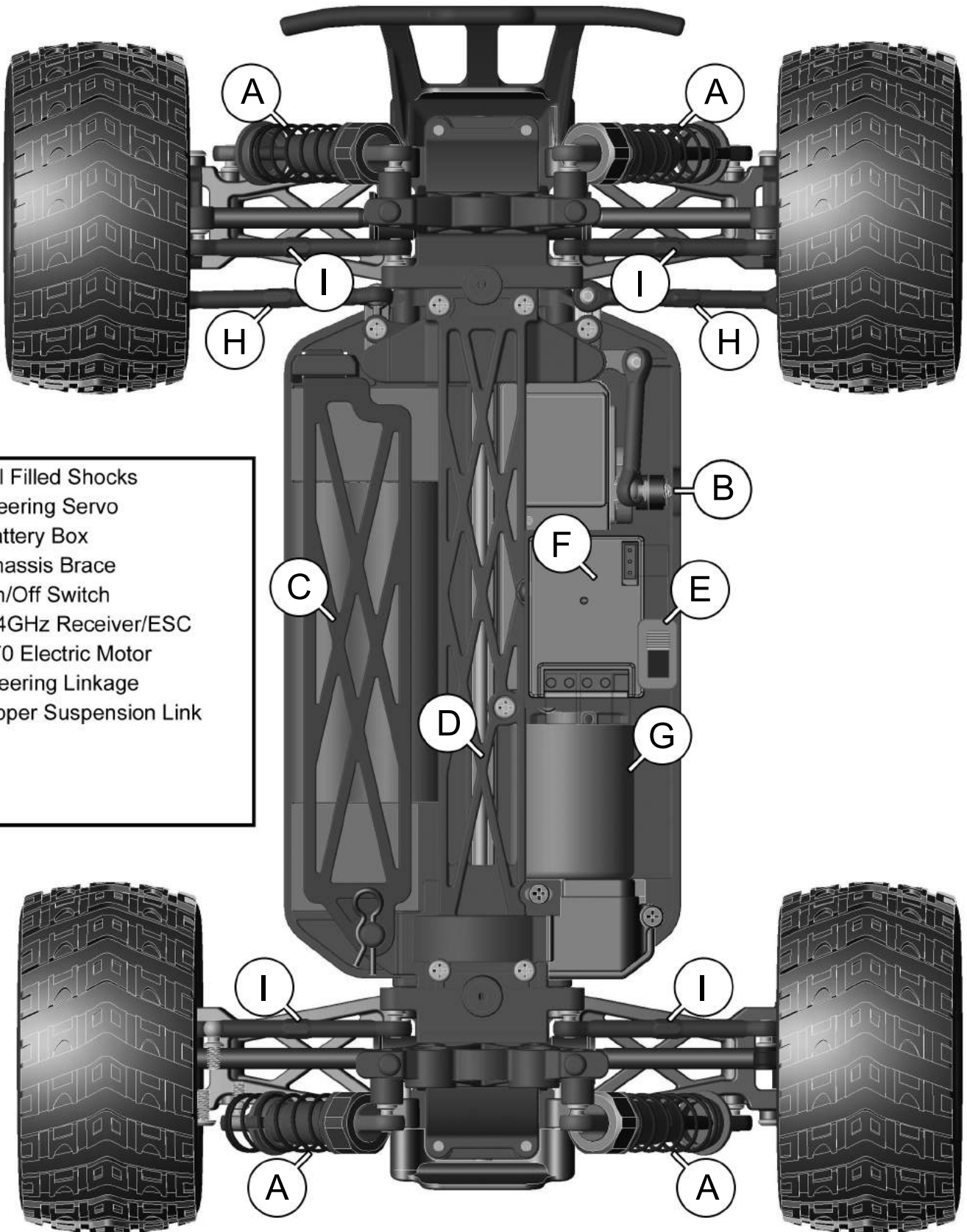
Connect the equipment into an outlet on a circuit different from that to which the receiver is connected.

Consult the dealer or an experienced radio/TV technician for help.

WARNING: Any changes or modifications not expressly approved by the party responsible for compliance could void the user's authority to operate this equipment.

WARNING: While operating the Radio, a separation distance of at least 20 centimeters must be maintained between the radiating antenna and the body of the user or nearby persons in order to meet the FCC RF exposure guidelines.

VEHICLE OVERVIEW

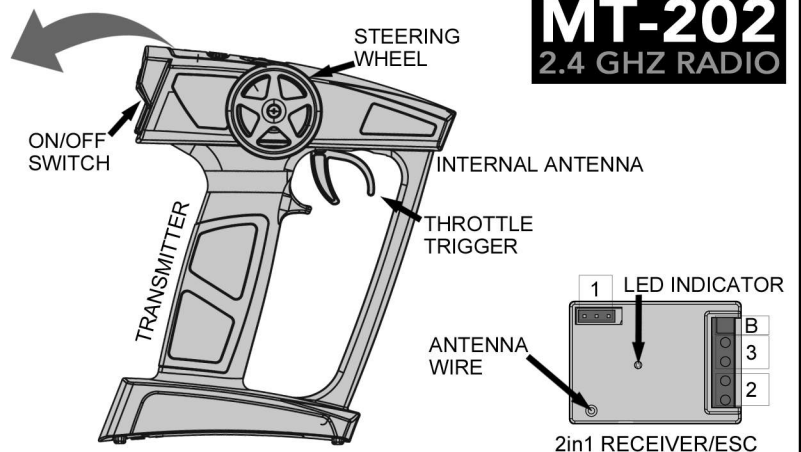
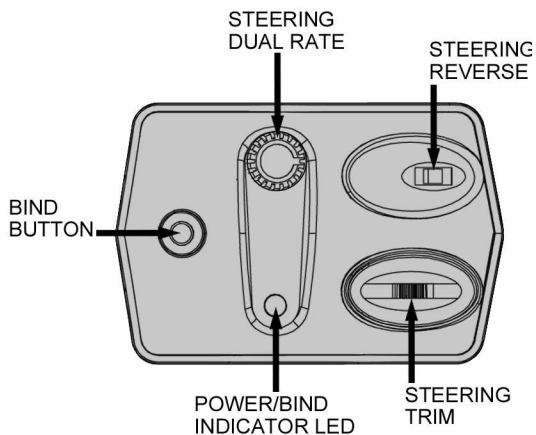


- A: Oil Filled Shocks
- B: Steering Servo
- C: Battery Box
- D: Chassis Brace
- E: On/Off Switch
- F: 2.4GHz Receiver/ESC
- G: 370 Electric Motor
- H: Steering Linkage
- I: Upper Suspension Link

RADIO GUIDE

MT-202

2.4 GHZ RADIO



Steering Reverse Switch: Used to change steering orientation. If the car turns right when you steer left, flip this switch.

Power/Bind Indicator LED: Lights up solid when the transmitter is turned on. Flashes rapidly when the transmitter batteries are low. Flashes slowly when in bind mode.

Bind Button: Used to bind the transmitter to the receiver. See binding instructions.

Steering Trim: Used to set the steering neutral point. If the vehicle veers in one direction while the steering wheel is centered, slide this lever in the opposite direction until the car drives straight.

Steering Dual Rate: Used to limit the amount of steering. 0= little/no steering & 6= maximum steering. Set the knob to the amount of steering you feel comfortable with. If the vehicle has a tendency to spin out, lower the steering rate.

On/Off Switch: Turns transmitter On and Off.

1: Steering servo plug

2: Motor connection

3: Battery connection

B: Power switch

LED Indicator: Lights up solid when receiver is turned on and receiving signal. Flashes rapidly when the battery voltage is below 5.5v or the ESC is too hot. Motor power is cut off.

Binding:

1. Turn on the transmitter while pressing the bind button.
2. The transmitter power/bind LED will flash red for 20 seconds.
3. While the transmitter is still flashing, plug the battery pack into the receiver/ESC and turn on the power.
4. When the LED light on the receiver/ESC is lit solid, binding is complete.
5. If the binding process was successful, the LED light on the transmitter will be solid red when both transmitter and receiver/ESC are turned on.
6. First turn your radio on, then your vehicle as normal. Your radio and receiver should be bound together.

Specifications Transmitter:

Model: MT-202T

Operating Voltage: 4.8v or 6v

Power Supply: 4 cell Alkaline

4 cell NiCD

4 cell NiMH

Weight: 8oz (227g) with Alkaline batteries

Frequency Modulation: 2.4GHz FHSS

RF Output: <100mW

Specifications Receiver:

Model: MT-202RE

Operating Voltage: 6.0v - 8.4v NiCD

6.0v - 7.4v LiPo (2s)

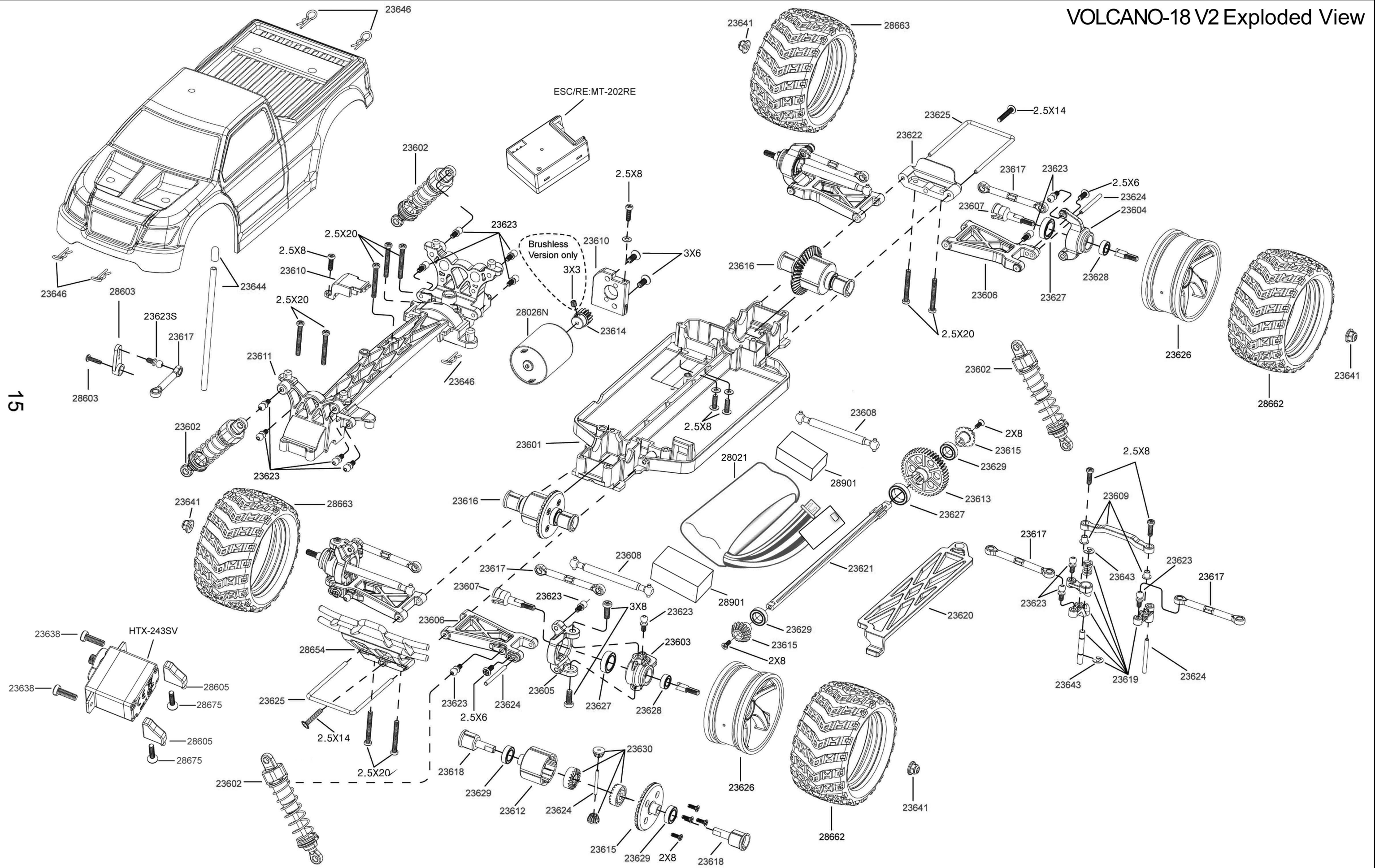
Weight: 0.26oz (7.4g)

Dimensions: 1.38 x 1 x 0.55 in.

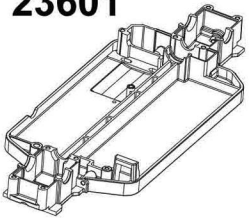
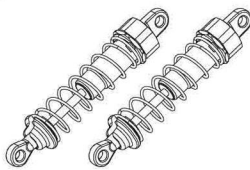
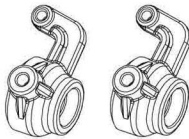
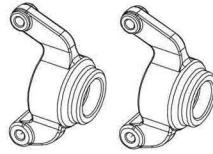
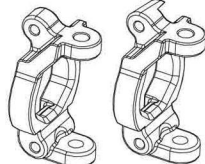
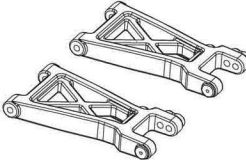
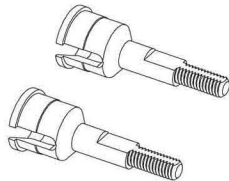
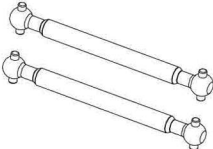
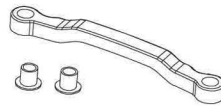
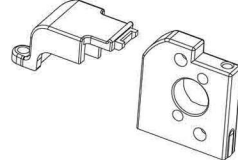

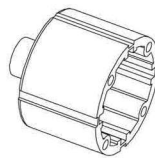

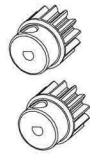
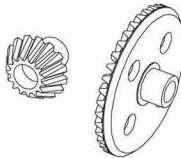
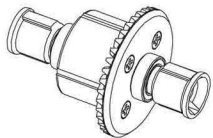
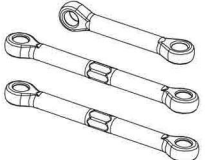
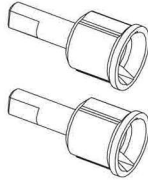
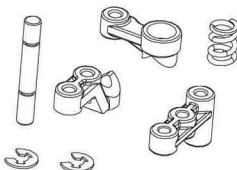


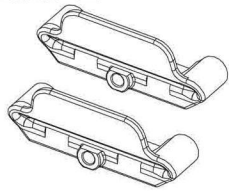


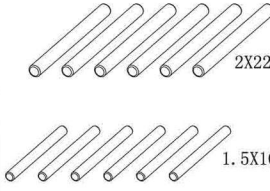
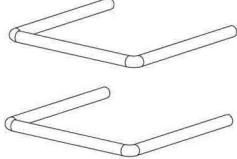
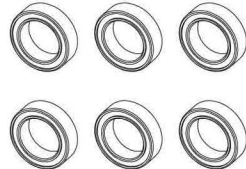
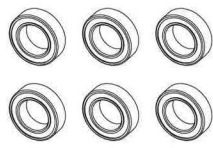

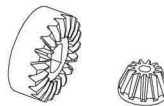
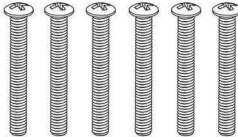
35.1 x 25.3 x 14 mm

Frequency Modulation: 2.4GHz FHSS

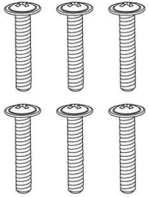


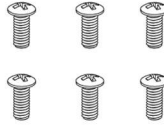
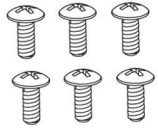

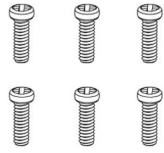

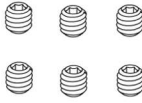
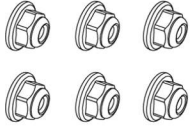
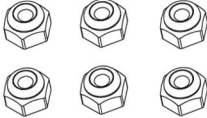
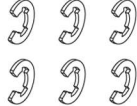


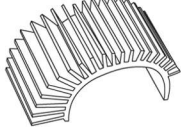


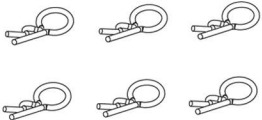
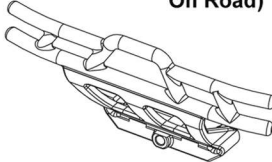
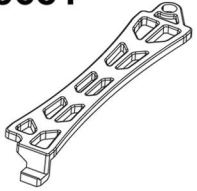

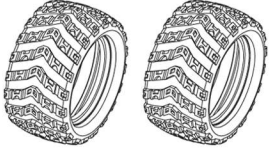
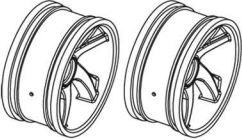
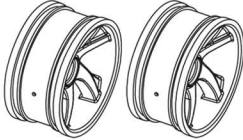
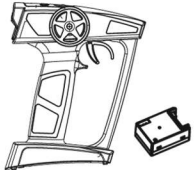

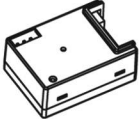
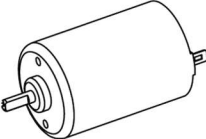

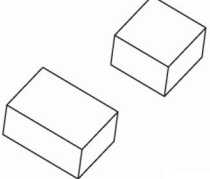
VOLCANO-18 V2 Exploded View



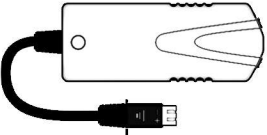
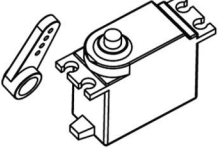
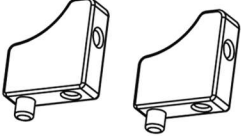


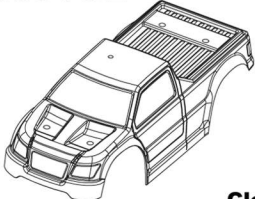
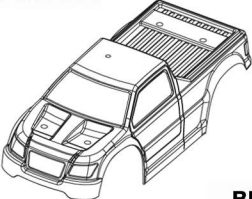
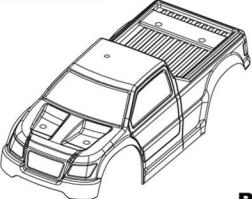
PARTS IDENTIFICATION

<p>23601</p>  <p>Chassis</p>	<p>23602 (Not suitable for On Road)</p>  <p>Shock Absorbers</p>	<p>23603</p>  <p>Knuckle Arms</p>	<p>23604</p>  <p>Rear Hub</p>	<p>23605</p>  <p>Front Hub</p>
<p>23606 (Not suitable for On Road)</p>  <p>Lower Susp Arm</p>	<p>23607</p>  <p>Wheel Axle</p>	<p>23608 (Not suitable for On Road)</p>  <p>Dogbones</p>	<p>23609</p>  <p>Steering Joint</p>	<p>23610</p>  <p>Motor Mount 1 Set</p>
<p>23611 (Not suitable for Desert Buggy)</p>  <p>Upper Deck</p>	<p>23612</p>  <p>Diff Case</p>	<p>23613</p>  <p>Main Gear 45T</p>	<p>23614</p>  <p>Plastic Motor Gear 13T</p>	<p>23615</p>  <p>Diff Gear</p>
<p>23616</p>  <p>F/R Diff Gear 1 Set</p>	<p>23617 (Not suitable for On Road)</p>  <p>Servo Link 1 Set</p>	<p>23618</p>  <p>Diff Outdrives</p>	<p>23619</p>  <p>Servo Saver 1 Set</p>	<p>23620</p>  <p>Battery Cover</p>
<p>23621</p>  <p>Center Driveshaft</p>	<p>23622</p>  <p>Bumper</p>	<p>23623S</p>  <p>Ball Head Screws (servo arm)</p> <p>23623</p>  <p>Ball Head Screws</p>	<p>23624</p>  <p>Pins</p>	<p>23625</p>  <p>Lower Hinge Pin</p>
<p>23627</p>  <p>Ball Bearings 8X12X3.5</p>	<p>23628</p>  <p>Ball Bearings 4X8X3</p>	<p>23629</p>  <p>Ball Bearings 10X6X3</p>	<p>23630</p>  <p>Diff Gear</p>	<p>23631</p>  <p>Button Head Screws 2.5X20</p>

PARTS IDENTIFICATION

<p>23632</p>  <p>Cap Head Screws 2.5x14</p>	<p>23633</p>  <p>Button Head Screws 2.5X10</p>	<p>23634</p>  <p>Button Head Screws 2.5X8</p>	<p>23635</p>  <p>Button Head Screws 2.5X6</p>	<p>23636</p>  <p>Button Head Screws 3X8</p>
<p>23637</p>  <p>Flat Head Screw 3X6</p>	<p>23638</p>  <p>Cap Screws 2X6</p>	<p>23639</p>  <p>Flat Head Screw 2X8</p>	<p>23640</p>  <p>Grub Screws M3X3</p>	<p>23641</p>  <p>Lock Nuts M3</p>
<p>23642</p>  <p>Lock Nuts M2.5</p>	<p>23643</p>  <p>E Clips 2.5</p>	<p>28676</p>  <p>Shims 2.6X6X0.5</p>	<p>28603</p>  <p>Servo Horn And Screw</p>	<p>28673</p>  <p>Motor Heat Sink</p>
<p>23644</p>  <p>Antenna Pipes</p>	<p>23645</p>  <p>Plastic Cable Ties</p>	<p>23646</p>  <p>Body Clips</p>	<p>28654 (Not suitable for Buggy/ On Road)</p>  <p>Front Bumper</p>	<p>28681</p>  <p>New Battery Cover</p>
<p>28663</p>  <p>Monster Truck Tires & Rims</p>	<p>28662</p>  <p>Monster Truck Tires</p>	<p>23626</p>  <p>Truggy / Short Course / Buggy / Monster Truck Black Rims</p>	<p>23626V</p>  <p>Truggy / Short Course / Buggy / Monster Truck Chrome Rims</p>	<p>MT-202</p>  <p>Mini 2.4Ghz Radio Set</p>
<p>MT-202T</p>  <p>Mini 2.4Ghz Radio</p>	<p>MT-202RE</p>  <p>Mini 2in1 ESC/Receiver</p>	<p>28026N</p>  <p>High Power RC 370 Motor</p>	<p>28021</p>  <p>7.4v LI-ION Battery</p>	<p>28901</p>  <p>Battery Tray Sponge</p>

PARTS IDENTIFICATION

<p>E020SM</p>  <p>7.4v LI-ION Battery Charger</p>	<p>HTX-243SV</p>  <p>Mini Servo</p>	<p>28605</p>  <p>Servo Mounts</p>	<p>28675</p>  <p>Flat Head Screw 2x6 (6pcs) (servo mounting screws)</p>
<p>28674</p>  <p>Flat Head Screw 2.6X7</p>	<p>28661CL</p>  <p>Clear Monster Truck Body</p>	<p>28661B</p>  <p>Blue Monster Truck Body</p>	<p>28661R</p>  <p>Red Monster Truck Body</p>

PERFORMANCE PARTS IDENTIFICATION

<p>M601</p>  <p>Front or Rear Alum Diff Housing 1pc.</p>	<p>M602</p>  <p>Alum Shock Absorbers</p>	<p>M603</p>  <p>Alum Knuckle Arms</p>	<p>M604</p>  <p>Alum Rear Uprights</p>
<p>M605</p>  <p>Alum Front Hub Carrier (L/R)</p>	<p>M606</p>  <p>Alum Lower Susp Arm</p>	<p>M607</p>  <p>Alum Front Bumper</p>	<p>M608</p>  <p>Alum Dogbones</p>
<p>M609</p>  <p>Alum Center Driveshaft</p>	<p>M610</p>  <p>Alum Motor Mount</p>	<p>M611</p>  <p>Alum Servo Saver</p>	<p>M612</p>  <p>Alum Servo Mount</p>
<p>M613</p>  <p>Alum Diff Outdrives</p>	<p>M614</p>  <p>Alum Steering Joint</p>	<p>M615</p>  <p>Carbon Fiber Battery Cover</p>	<p>M616</p>  <p>Alum Rims</p>
<p>28600 (Parts of 23615)</p>  <p>Powder Steel Diff Gear (2pcs)</p>	<p>28601</p>  <p>Pinion Gear 14T</p>	<p>28602</p>  <p>Pinion Gear 13T</p>	
<p>E18MST</p> <p>M602 Alum Shock Absorbers 4P</p> <p>M603 Alum Knuckle Arms 2P</p> <p>M604 Alum Rear Uprights 2P</p> <p>M605 Alum Front Hub Carrier (L/R) 2P</p> <p>M606 Alum Lower Susp Arm 4P</p> 			



FAST  AFFORDABLE  FUN

www.redcatracing.com

MAN-VOLCANO18V2-2016.3.08

•To ensure that you are using the most recent version of this manual:
<http://www.redcatracing.com/manuals/VOLCANO18V2-MANUAL.pdf>

•To ensure that you have the most recent version of the Electronic Vehicles Manual:
www.redcatracing.com/manuals/ELECTRIC-MANUAL.pdf