

danchee



Instruction Manual

MAN-TRAILHUNTER-2016-7-11

Please keep this owner instruction manual for future reference. It contains important information. We reserve the right to improve or revise the product specifications without notice. To ensure you have the most recent version of this manual: www.danchee.com/manuals/MAN-TRAILHUNTER.pdf

TRAIL HUNTER
ROCK CRAWLER



WARNING

READ THE ENTIRE MANUAL BEFORE USE.

- Not recommended for children under 8 years of age.
- Keep away from children under 8 years of age. This product contains parts that can be choking hazards if placed in mouth or up nose. Injury may occur if any parts are placed in the ear canal. This vehicle contains moving parts that may harm the user. Use at your own risk and keep away from children under 8 years old.
- Keep body parts, hair, and loose clothing away from moving parts.
- Never turn on the vehicle without first having the controller turned on.
- RC vehicles can cause serious injury or death if not operated correctly.
- As with all electric toys, precautions should be observed when handling and during use to prevent electrical shock.
- Never run the vehicle in water or damp areas. Never run the vehicle in sand, rain, or snow.
- Do not run the vehicle into any hard objects. Do not jump the vehicle or drive off of high objects.
- Never use vehicle in crowds. Never chase people or animals. Only drive in safe open areas.
- Never operate RC vehicles on public roads. Damage of vehicle and property can occur. Only operate on open private property.
- The batteries and vehicle electronics can get hot. Burns can occur if touched after vehicle operation. Allow adequate time to cool before handling.
- Always remove AA batteries from the transmitter and vehicle when not in use.
- Dispose of used batteries properly. Check locally for proper disposal of used batteries.
- Do not mix old and new batteries. Do not mix alkaline, lithium, standard (carbon zinc), or rechargeable (nickel cadmium) batteries. Do not change or charge batteries in a hazardous location. Only use new AA batteries in your radio transmitter. Replace transmitter batteries often to ensure full control of the vehicle.
- Perform a radio range check BEFORE running your RC vehicle to avoid a runaway vehicle.
- Never connect two batteries to one another.
- Never leave batteries plugged into the vehicle when the vehicle is not in use.
- There is a risk of fire when dealing with batteries. Rechargeable batteries may become hot and catch fire if left unattended or charged too quickly. If using rechargeable batteries or optional NiMH battery pack, charge away from flammable materials. Batteries must be changed and/or charged by adults only.

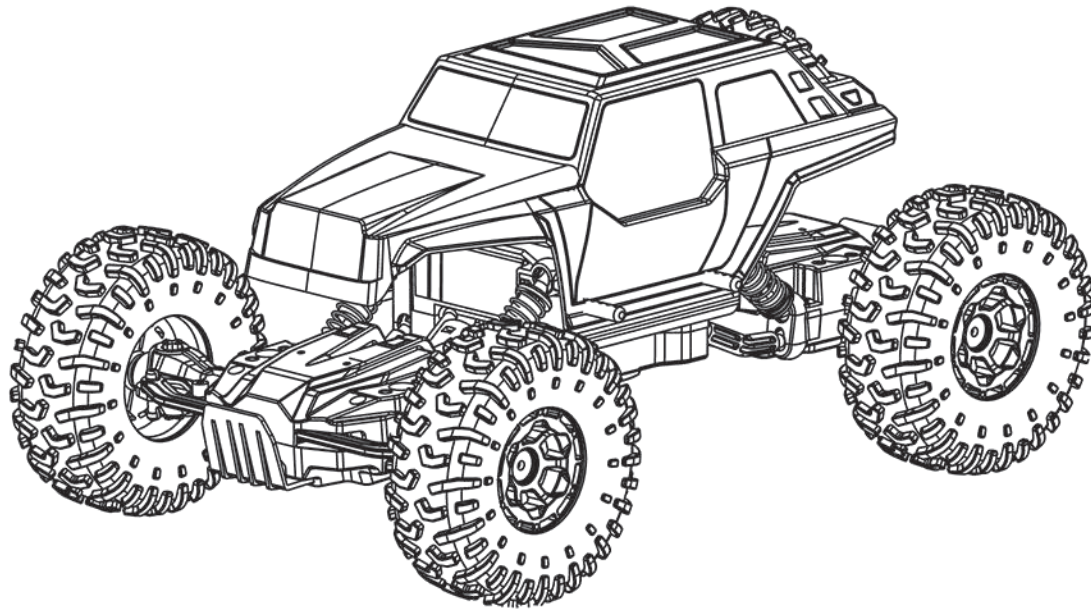
Optional Rechargeable Battery Pack warnings below (Optional Rechargeable Battery and Charger Part Number BT1001-001)

- Only charge optional NiMH battery with recommended NiMH charger.
- Do not lay batteries on metal. Use only chargers specified for the battery type being charged.
- Use caution when charging batteries. Do not touch positive and negative leads together or short out batteries in any way.
- Never charge the battery pack while it is still plugged into the RC vehicle. Always unplug the battery pack and remove the battery from the RC vehicle before charging.

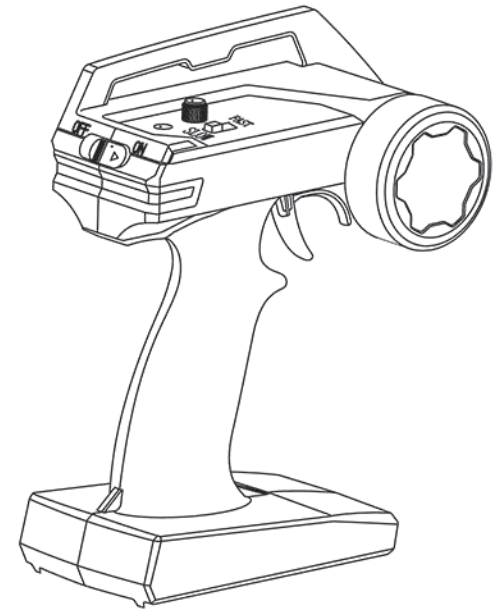
Failure to do so may result in damage to the vehicle's electronics.

- Keep batteries and chargers away from water, moisture, heat, fire, and direct sunlight.
- Always store battery packs in a cool dry place.
- Never use a LiPO battery in this vehicle.

INCLUDED

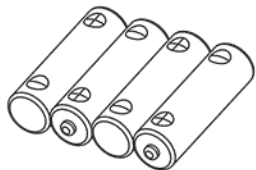


Trail Hunter

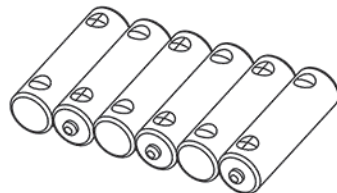


2.4GHz Transmitter

NEEDED



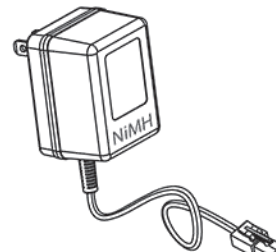
4x AA batteries
for transmitter



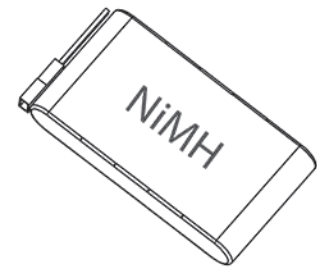
6x AA batteries
for vehicle

OPTIONAL

BT1001-001



Battery charger



Rechargeable
battery for truck



2.4GHz TRANSMITTER

Hill brake Switch: Select hill brake or normal mode.

- Hill brake: Applies brake automatically when the throttle trigger is in the neutral position. This will hold the vehicle on a steep hill, not allowing the vehicle to roll forward.
- Normal: Brakes function normally, allowing the vehicle to coast freely when the throttle trigger is in the neutral position. In this mode, the brakes must be applied manually using the remote. (See reverse operations for more details)

Steering Trim Knob: Turn to make truck drive straight when steering wheel is centered.

Power Light: Indicates the transmitter is turned on.

Power Switch: Turns transmitter on and off.

Steering Wheel: Turn left to steer the vehicle left. Turn right to steer the vehicle right.

Throttle Trigger: Pull to drive forward, center to brake (when hill brake is on), push to drive in reverse.

Reverse Operations:

Reverse operations work differently depending on your driving mode:
Normal Driving Mode - Push forward to brake, push forward again to reverse
Hill Break Driving Mode - Push forward to reverse

FCC COMPLIANCE STATEMENT!

The radio included with your vehicle complies with part 15 of the FCC Rules.

Operation is subject to the following two conditions:

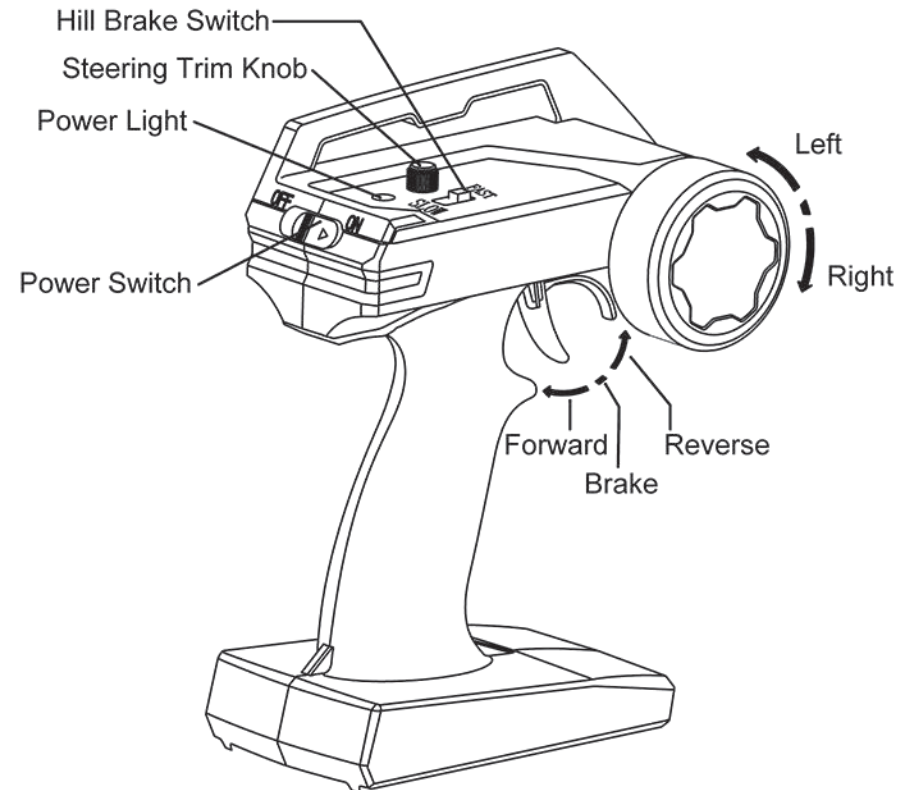
- (1) This device may not cause harmful interference, and
- (2) This device must accept any interference received, including interference that may cause undesired operations.

Note: This equipment has been tested and found to comply with the limits for a Class B digital device, pursuant to Part 15 of the FCC Rules. These limits are designed to provide reasonable protection against harmful interference in a residential installation. This equipment generates, uses and can radiate radio frequency energy and, if not installed and used in accordance with the instructions, may cause harmful interference to radio communications. However, there is no guarantee that interference will not occur in a particular installation. If this equipment does cause harmful interference to radio or television reception, which can be determined by turning the equipment off and on, the user is encouraged to try to correct the interference by one of the following measures:

Reorient or relocate the receiving antenna. Increase the separation between the equipment and receiver. Connect the equipment into an outlet on a circuit different from that to which the receiver is connected. Consult the dealer or an experienced radio/TV technician for help.

WARNING: Any changes or modifications not expressly approved by the party responsible for compliance could void the user's authority to operate this equipment.

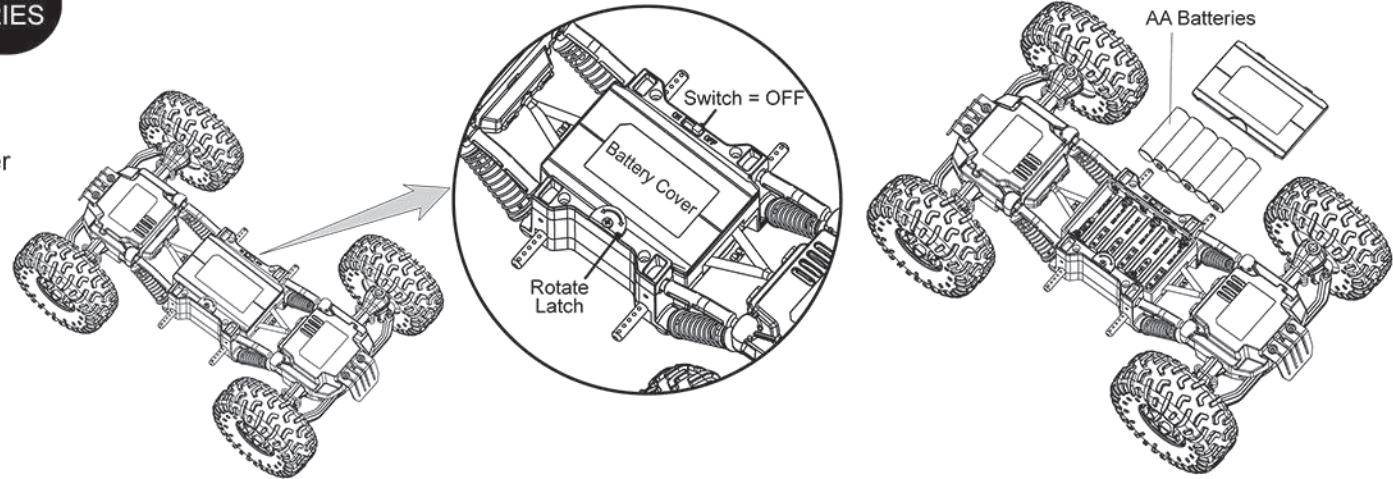
WARNING: While operating the Radio, a separation distance of at least 20 centimeters must be maintained between the radiating antenna and the body of the user or nearby persons in order to meet the FCC RF exposure guidelines.



1

INSTALLING TRUCK BATTERIES

1. ON/OFF switch = OFF.
 2. Rotate latch and remove battery cover
 3. Install 6x new AA batteries.
- Make sure POS/NEG position of battery is correct.
4. Install battery cover and rotate latch.



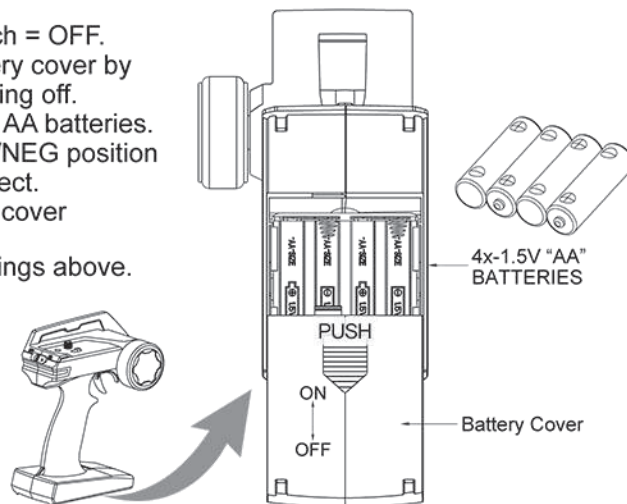
! Do not mix old and new batteries. Do not mix alkaline, lithium, standard (carbon zinc), or rechargeable (nickel cadmium) batteries. Do not charge or charge batteries in a hazardous location. Only use new AA batteries in your radio transmitter. Replace transmitter batteries often to ensure full control of the vehicle.

2

INSTALLING RADIO BATTERIES

1. ON/OFF switch = OFF.
 2. Remove battery cover by pushing and sliding off.
 3. Install 4x new AA batteries.
- Make sure POS/NEG position of battery is correct.
4. Install battery cover

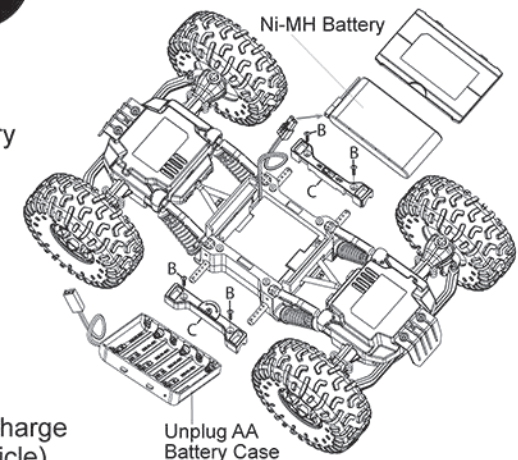
! See warnings above.



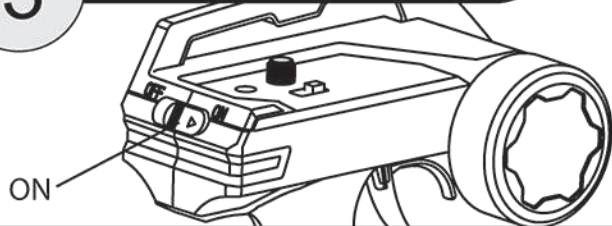
*

OPTIONAL NiMH BATTERY

1. ON/OFF switch = OFF
2. Rotate latch and remove the battery cover
3. Unscrew four screws (B) and remove the two side bars (C).
4. Remove the AA battery tray and unplug the connector.
5. Install the two side bars (C) and screw in the four screws (B).
6. Plug in the connector of the fully charged NiMH battery and push the connector into the chassis. (Always charge NiMH battery prior to installing in vehicle)
7. Install the charged NiMH battery.
8. Install the battery cover and rotate latch.
9. When charging Optional NiMH battery, always remove battery from vehicle when charging.

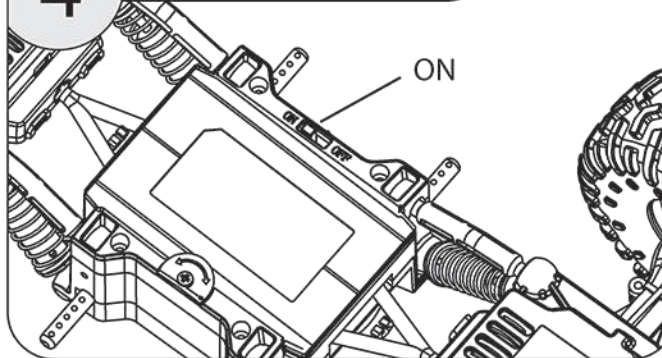


3 TURN ON THE TRANSMITTER 1ST



Note. The transmitter will bind to the truck each time they are turned on. If using more than one Trailfinder, perform steps 3 & 4 for the first vehicle and allow a few seconds for binding before turning on the second one.

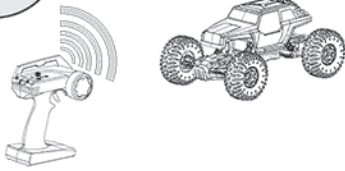
4 TURN ON THE TRUCK 2ND



FAQ: (Frequently Asked Questions)

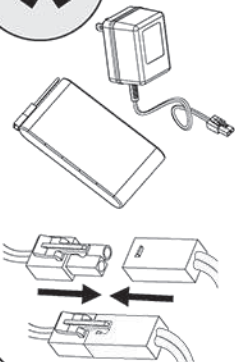
- 1) *Why does my R/C Vehicle not start?*
Make sure that the car and transmitter are on. Make sure the batteries are new. Make sure the batteries are installed correctly. Make sure all 4 wheels are obstruction free. Follow steps 1 - 5 in this manual.
- 2) *Why does my R/C Vehicle make unusual noises and/or runs irregularly?*
Make sure the batteries are new. Make sure the batteries are installed correctly. Make sure all 4 wheels are obstruction free. Follow steps 1 - 5 in this manual.
- 3) *What if I'm still having a problem?*
You may find our contact information at : www.danchee.com

5 RADIO RANGE CHECK




Perform a radio range check before each use. Install new AA batteries into the bottom of the transmitter. Turn on the transmitter. Turn on the truck's power switch (see above). **Note:** Always turn on the transmitter first to prevent runaways. Keep fingers away from potentially moving parts and hold the vehicle off the ground. Check that the controls are working properly. The steering wheel should operate the steering and the trigger should operate the motor. When in Hill Brake Mode - Pulling the trigger should make the vehicle go forward, pushing the trigger should engage reverse. When in Normal Mode - Pulling the trigger should make the vehicle go forward, pushing the trigger twice should engage reverse. Have a parent hold the vehicle and walk 20 yards away. You and your parent should decide on a routine beforehand, since it will be difficult to communicate with each other while testing. An example would be: Turn the steering wheel left and count to ten. Turn the steering wheel right and count to ten. Pull the trigger and count to ten. Push the trigger and count to ten. You will want to repeat these steps moving further out as you progress until you are beyond the maximum distance you plan to run the vehicle. If the radio performed without any glitches or twitching at maximum distance, the radio range check is complete.

* OPTIONAL BATTERY PACK



- 1) Make sure the battery connector is completely plugged into the charger connector.
 - 2) Plug charger into wall.
- * Never charge battery over two hours.
 - * Never leave battery unattended.
 - * Battery may get warm, but never hot! If the battery gets hot, unplug the charger from the wall immediately
 - * Charge the battery away from all flammable materials (this includes carpet and upholstery).

Proper Battery Disposal:

 Please dispose of batteries properly and do not throw them into your household waste container. As the consumer, you are legally obligated to dispose of batteries properly. Find out when your area sets up public hazardous waste collection points and turn in your used batteries there.

WARRANTY - All Danchee remote control products have a 30 day limited warranty covering factory defects. You may receive a new replacement product if the defective product is returned to Danchee freight prepaid and confirmed factory defective. Danchee's 30 day limited warranty is limited to factory defects in material and workmanship only. The warranty does not cover unauthorized modification, accidents, abusive use and consequential damages as determined by Danchee. The warranty is limited to original purchaser with dated proof of purchases only. If you have a problem with our product please fill out the warranty form on our website. If the problem cannot be resolved through email an RA# may be issues. Returns for repair or replacement must be shipped prepaid/postage and insured, the shipment must include an RA#, dated proof of purchase, and brief description of the problem. Products returned without this information will be excluded from the coverage of this warranty. Allow 3 to 5 weeks for delivery of repaired or replacement per Danchee's discretion. Delivery is limited to the U.S.A. and Canada only. Warranty is only valid for purchases in U.S.A. and Canada.



To ensure you are using the most recent version of this manual
www.danchee.com/manuals/MAN-TRAILHUNTER.pdf