

MODEL: KT12



KT12

1/12 SCALE TRUCK
OWNERS MANUAL



FAST · AFFORDABLE · FUN™

MAN-KT12-2016-12-21

- To ensure that you are using the most recent version of this manual:
www.redcatracing.com/manuals/KT12MANUAL.pdf
- To ensure that you have the most recent version of the Electric Vehicles Manual:
www.redcatracing.com/manuals/ELECTRIC-MANUAL.pdf

WARNING!

READ ALL INSTRUCTIONS INCLUDED WITH VEHICLE BEFORE OPERATING

**AGE WARNING!**

This radio controlled (RC) vehicle is not a toy! You must be 14 years of age or older to operate this vehicle. Adult supervision is required.

**RISK OF RUNAWAY VEHICLE OR INJURY!**

Never turn on the vehicle or plug in the battery pack without first having the controller turned on.

**RISK OF FIRE! / RISK OF EXPLOSION!**

There is a risk of fire and explosion when dealing with batteries. Rechargeable batteries may become hot and catch fire if left unattended or charged too quickly. Use extra caution when charging LiPO batteries. Use only LiPO specific chargers. Use a LiPO safe charging pouch when charging LiPOs. Charge away from flammable materials. Never charge at a rate higher than 1C. {2000Mah pack= 2amps charge rate). Overcharging can lead to fire and explosion. Always store battery packs in a cool dry place.

**RISK OF BURNS!**

The batteries, electronic speed controller (ESC), electric motor, and other areas of the vehicle can get hot. Burns can occur if touched after vehicle operation. Allow adequate time to cool before handling.

**RISK OF ELECTRICAL SHOCK!**

Use caution when charging batteries. Do not touch positive and negative leads together. Do not lay battery on metal. Use only chargers specified for the battery type being charged. Keep batteries and chargers away from water.

**RISK OF INJURY!**

Hobby grade RC vehicles can cause serious injury or death if not operated correctly. Never use vehicle in crowds. Never chase people or animals. Drive in safe open areas only. Keep body parts away from moving parts.

**RISK OF DAMAGE!**

Never operate RC vehicles on public roads. Damage of vehicle and property can occur. Only operate on open private property. Never charge the battery pack while it is still plugged into the RC vehicle. Always unplug the battery pack from the electronic speed controller (ESC) and remove the battery from the RC vehicle before charging. Failure to do so will result in damage to the vehicle's electronics.

**WARNING!**

Do not mix old and new batteries. Do not mix alkaline, lithium, standard (carbon zinc), or rechargeable (nickel cadmium) batteries. Do not change or charge batteries in a hazardous location.



FCC Compliance Statement! The radio included with your vehicle complies with part 15 of the FCC Rules. Operation is subject to the following two conditions: (1) This device may not cause harmful interference, and (2) This device must accept any interference received, including interference that may cause undesired operations. Note: This equipment has been tested and found to comply with the limits for a Class B digital device, pursuant to Part 15 of the FCC Rules. These limits are designed to provide reasonable protection against harmful interference in a residential installation. This equipment generates, uses and can radiate radio frequency energy and, if not installed and used in accordance with the instructions, may cause harmful interference to radio communications. However, there is no guarantee that interference will not occur in a particular installation. If this equipment does cause harmful interference to radio or television reception, which can be determined by turning the equipment off and on, the user is encouraged to try to correct the interference by one of the following measures:

Reorient or relocate the receiving antenna.

Increase the separation between the equipment and receiver.

Connect the equipment into an outlet on a circuit different from that to which the receiver is connected.

Consult the dealer or an experienced radio/TV technician for help.

WARNING: Any changes or modifications not expressly approved by the party responsible for compliance could void the user's authority to operate this equipment.

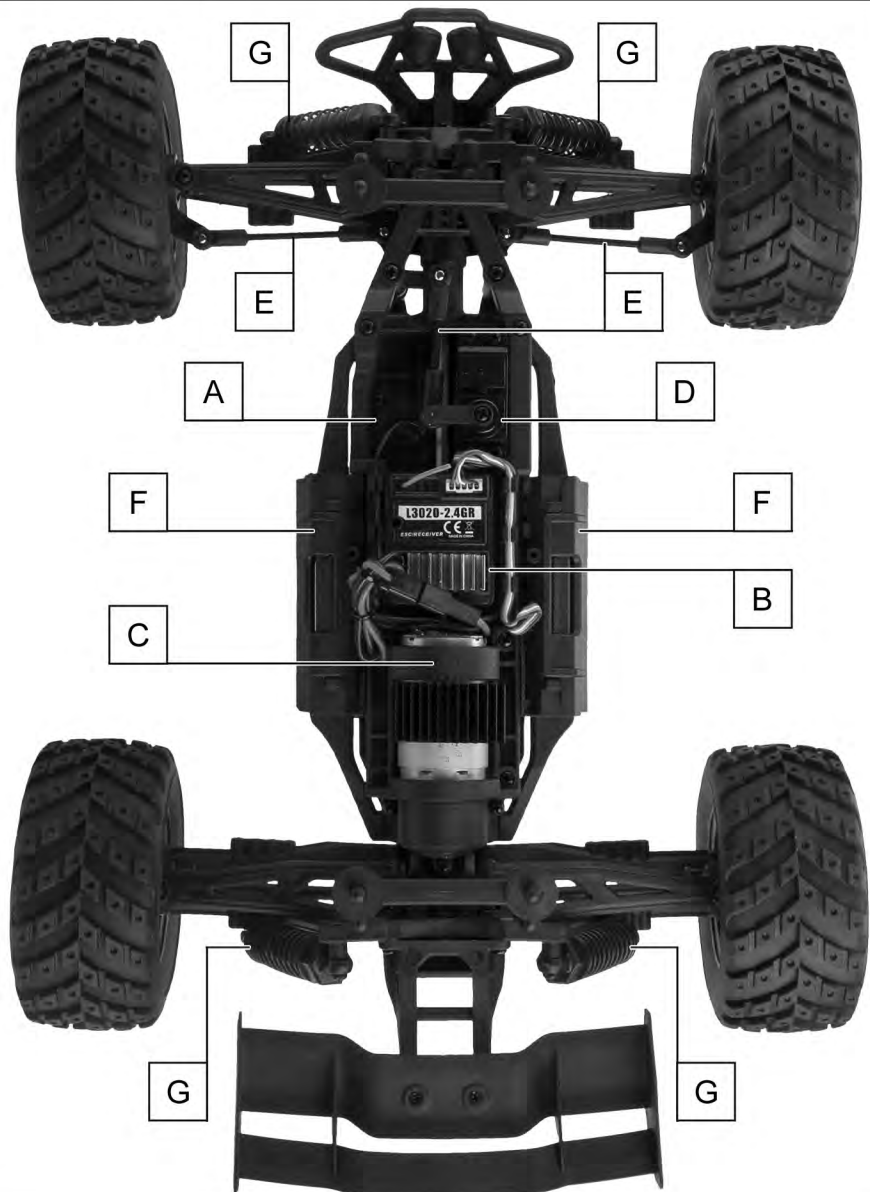
WARNING: While operating the Radio, a separation distance of at least 20 centimeters must be maintained between the radiating antenna and the body of the user or nearby persons in order to meet the FCC RF exposure guidelines.

FEATURES & SPECIFICATIONS

- Electric Brushed 390 Motor
- Brushed Splash Proof ESC/RX
- Forward and Reverse
- 4 Wheel Drive
- Coil Over Shocks
- 7.4v (2x Li-ion 3.7v Batteries) w/ Charger
- 2.4GHz Radio System
- Scale: 1/12
- Length: 371mm
- Width: 285mm
- Height: 130mm
- Wheelbase: 240mm
- Ground Clearance: 45mm
- Gear Ratio: 12.4:1

VEHICLE OVERVIEW

- A: On/Off Switch
 B: ESC/Receiver (2-in-1)
 C: Motor
 D: Steering Servo
 E: Steering Linkage
 F: Battery Compartment (x2)
 G: Coil Over Shocks (x4)



RADIO GUIDE



1. Steering Wheel
2. Throttle/Brake Trigger
3. Steering Trim
4. Throttle Trim
5. Steering Reverse
6. Power Light
7. Power ON/OFF
8. Auxiliary

Steering Trim: Left knob. Used to set the steering neutral point. If the vehicle veers in one direction while the steering wheel is centered, turn this knob in the opposite direction until the vehicle drives straight.

Throttle Trim: Right knob. Used to set the throttle neutral point. If the vehicle moves forward or reverse while the throttle trigger is centered, turn this knob until the vehicle remains still.

Steering Reverse Switch: Center switch. Used to change steering orientation. If the car turns right when you steer left, flip this switch.

Power LED: When the transmitter is switched on, the Power LED flashes quickly while it is locating the receiver. The Power LED is also a battery level indicator. When the transmitter and vehicle are both turned on, the LED will light up solid if the batteries are full. If the LED flashes slowly, turn off both the vehicle and transmitter, and replace the transmitter batteries.

Auxiliary: Not used for this model.

Transmitter Batteries: Uses 2x AA batteries.

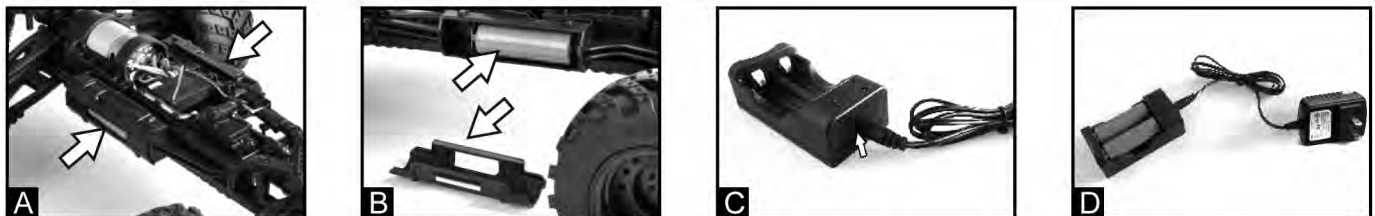


1. Remove the battery door as shown in the image.
2. Install two new AA batteries. Be sure to line up (+) positive and (-) negative polarities of the batteries with the (+) positive and (-) negative marks on the transmitter battery door.
3. Slide battery door back into place.

WARNING!

Do not mix old and new batteries. Do not mix alkaline, lithium, standard (carbon zinc), or rechargeable (nickel cadmium) batteries. Do not change or charge batteries in a hazardous location.

CHARGING VEHICLE BATTERIES



1. Remove the battery compartment doors (A) and remove the batteries (B) from the vehicle.
2. Plug the two parts of the charger together (C) and insert the batteries into the charge doc (D). Make sure the (+) (-) polarities are lined up correctly. Now plug the charger plug into a 110v wall receptacle. The two Li-ion batteries will take about 3hrs to charge.

LED Status: The GREEN LED will light when the charger is plugged into a 110v wall receptacle. Both RED and GREEN LEDs will light while the batteries are charging. The RED LED will go out when the batteries are fully charged.

BATTERY WARNINGS

- Never leave batteries unattended while charging.
- Remove batteries from the charger and unplug the charger once the batteries have completed charging.
- Batteries will get warm, but should never get hot. If batteries get hot while charging, immediately unplug the charger and take it, with batteries, outside to a safe area away from anything that may catch fire. Do not place in direct sunlight, rain, or water.
- Always check the polarity (+ / -) of the batteries, in the transmitter, vehicle, and charger. If battery polarity is reversed, fire and/or damage may occur.
- Do not mix old and new batteries. Do not mix alkaline, lithium, standard (carbon zinc), or rechargeable (nickel cadmium) batteries. Do not change or charge batteries in a hazardous location.
- Do not store batteries in a hot place. Keep out of direct sunlight for extended periods.
- Remove batteries from the transmitter and vehicle when not in use. Store batteries in a safe, dry, and cool place.

RUNNING THE VEHICLE

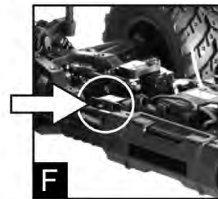
1. Be sure to have new AA batteries in the transmitter and freshly charged Li-ion batteries (included) in the vehicle.

2. Turn on the transmitter first (E).

3. With the transmitter turned on, you may now turn on the vehicle (F).

To turn the vehicle on: Always be sure to turn on the transmitter 1st, and the vehicle 2nd.

To turn the vehicle off: Always be sure to turn off the vehicle 1st, and the transmitter 2nd.



STEERING WHEEL



CENTER

Wheels remain centered.



LEFT

Wheels steer to the left.



RIGHT

Wheels steer to the right.



TRIGGER



CENTER

Truck remains still.



PULL

Truck drives forward.

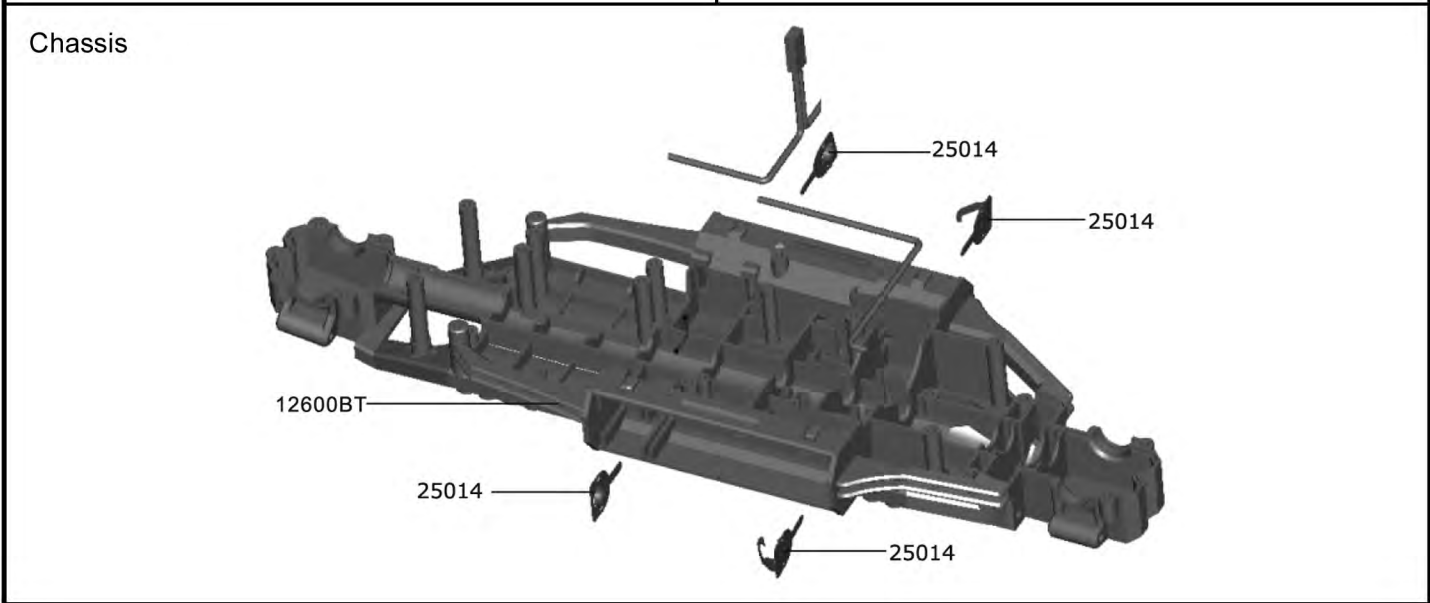
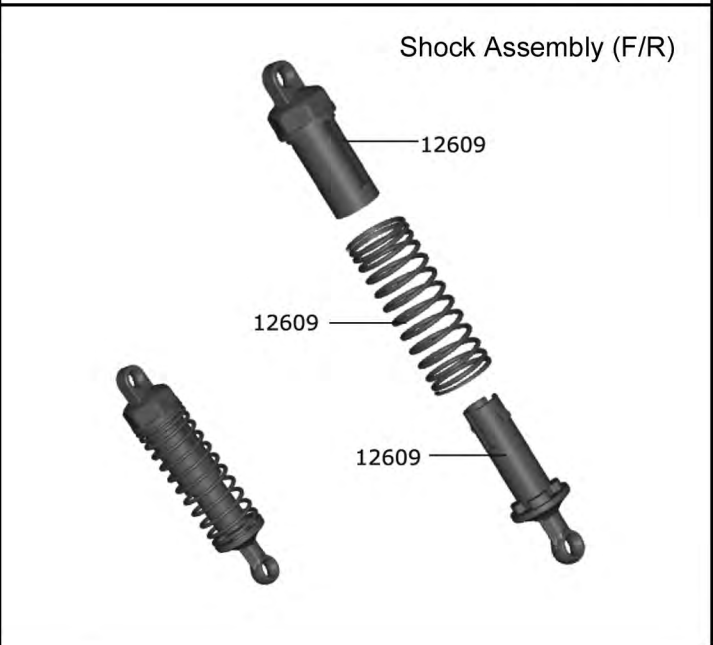
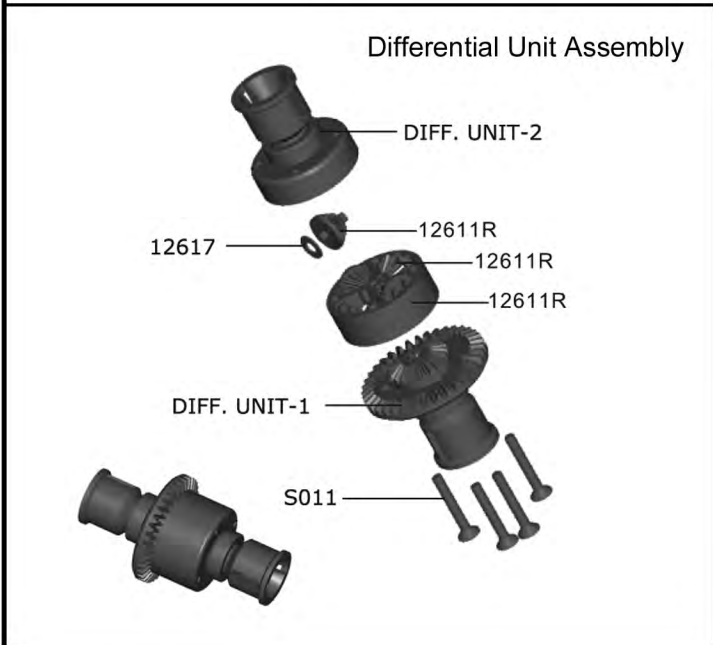
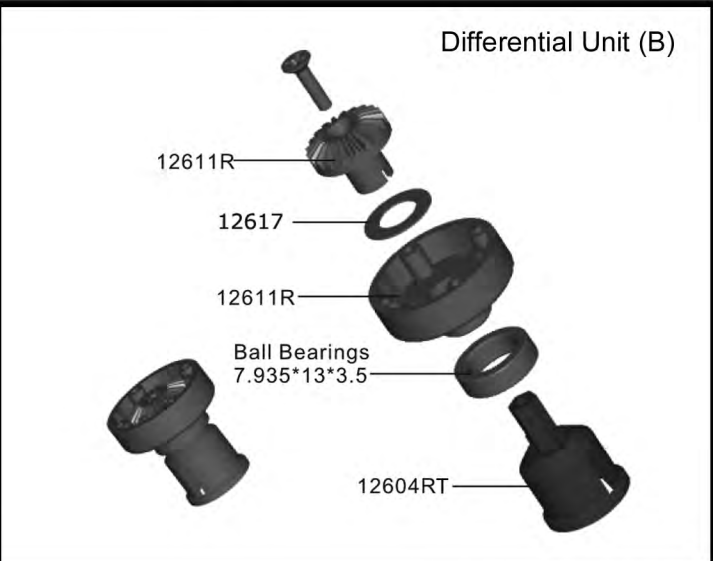
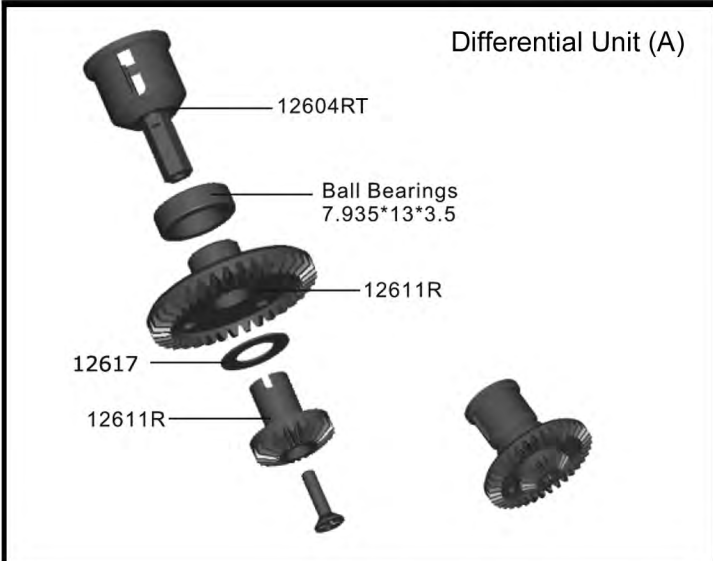


PUSH

1st push = Brakes.
2nd push = Reverse.

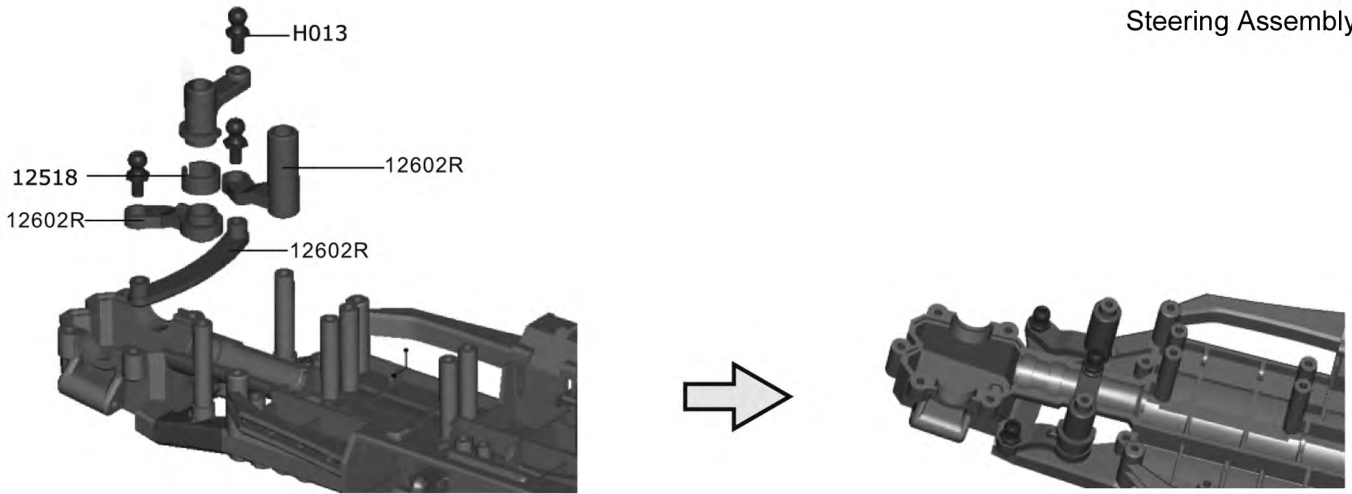


EXPLODED VIEWS

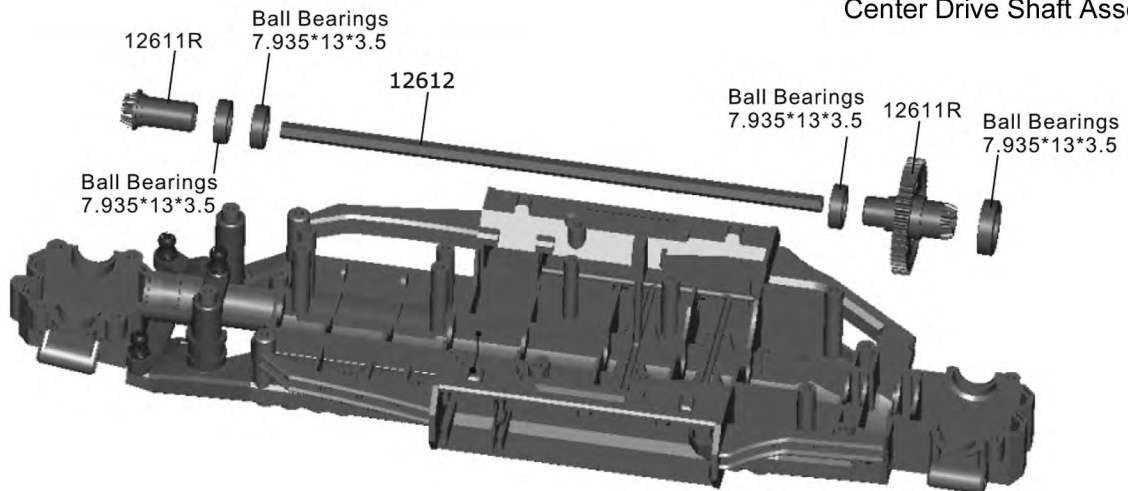


EXPLODED VIEWS

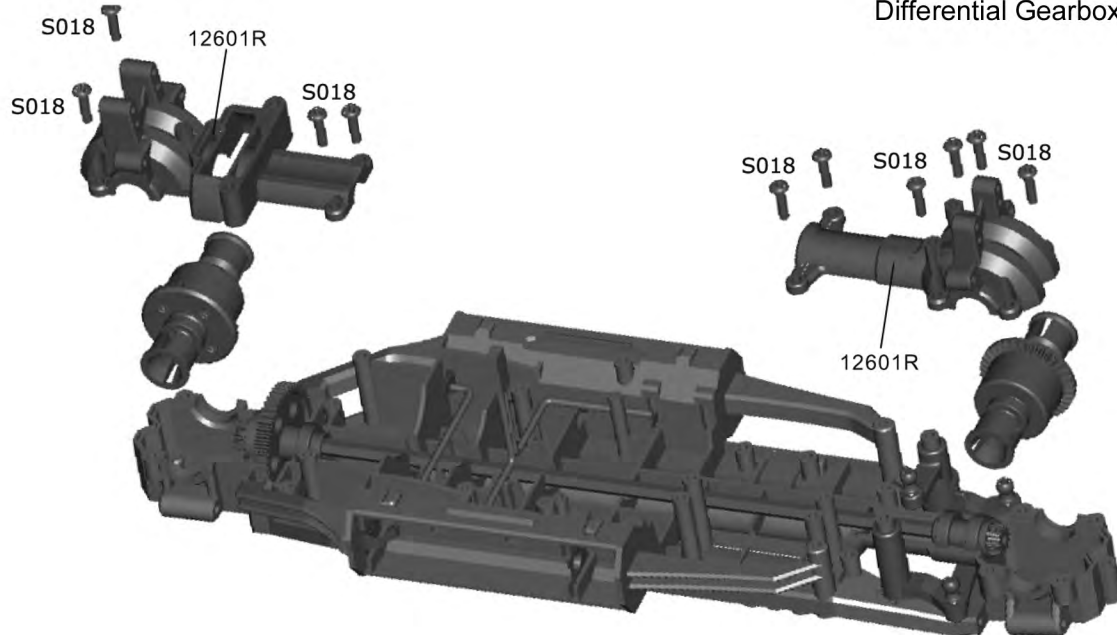
Steering Assembly



Center Drive Shaft Assembly

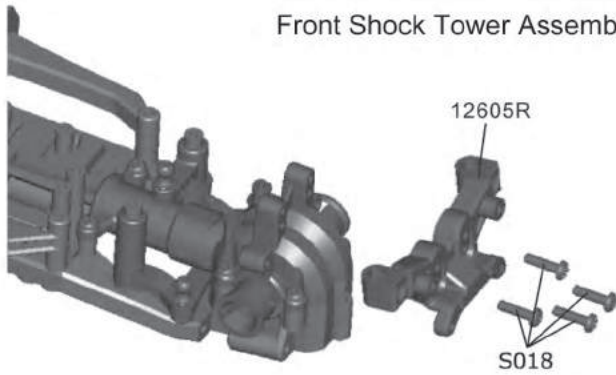


Differential Gearbox Assembly

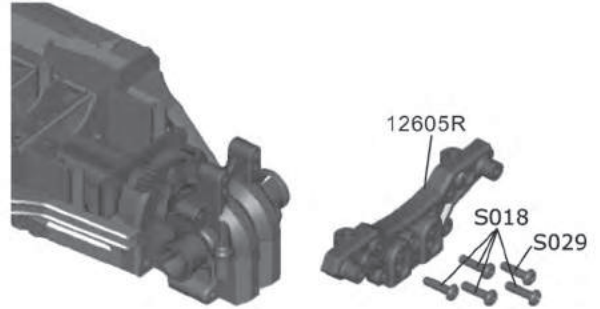


EXPLODED VIEWS

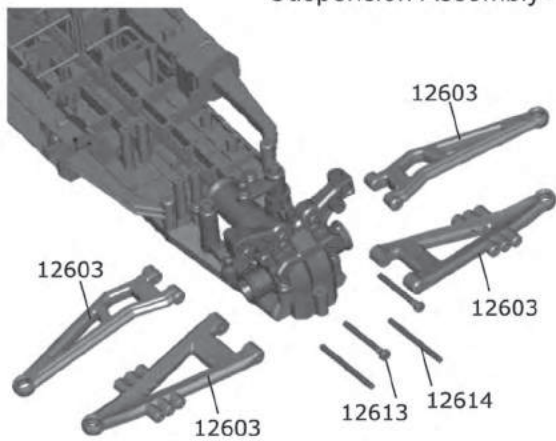
Front Shock Tower Assembly



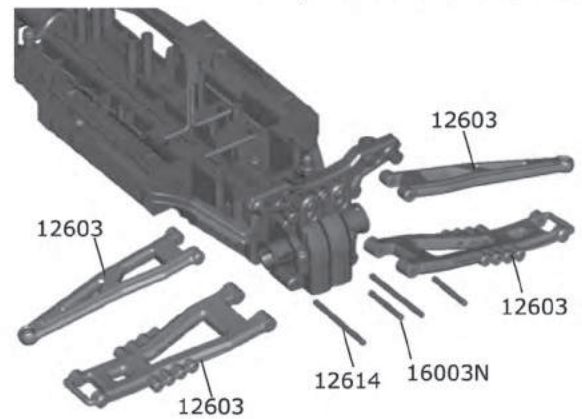
Rear Shock Tower Assembly



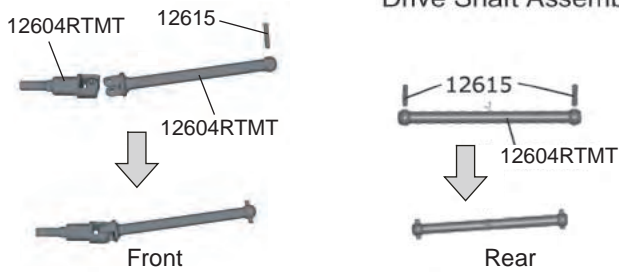
Suspension Assembly - Front



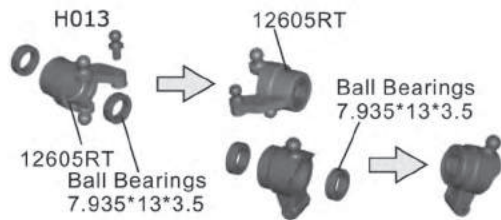
Suspension Assembly - Rear



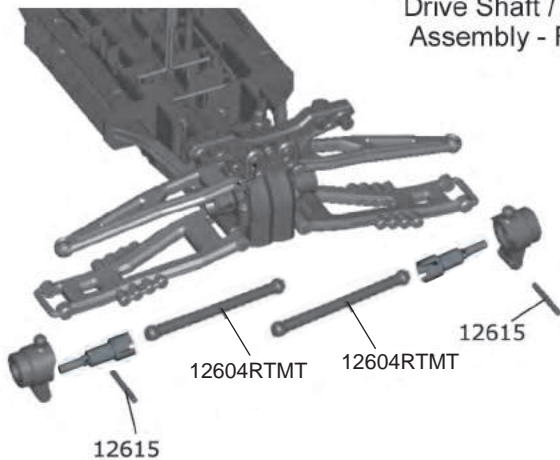
Drive Shaft Assembly



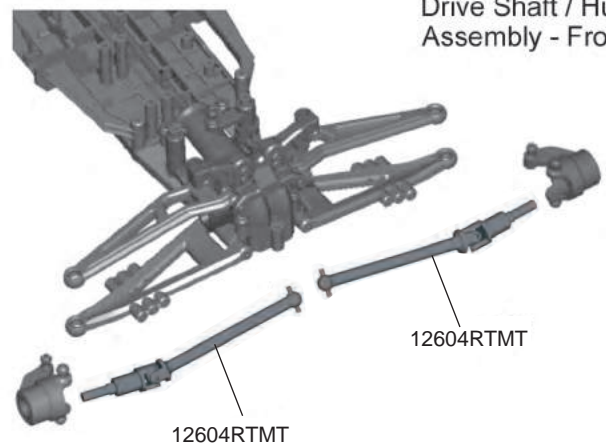
Hubs - Front / Rear



Drive Shaft / Hub Assembly - Rear

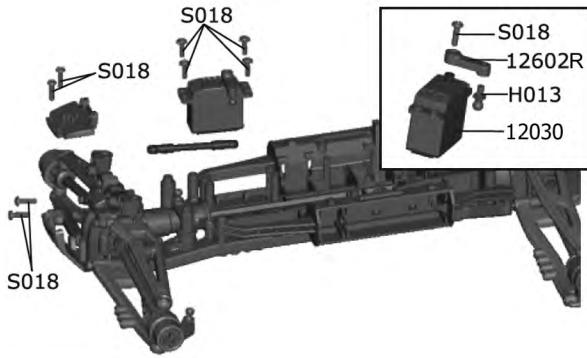


Drive Shaft / Hub Assembly - Front



EXPLODED VIEWS

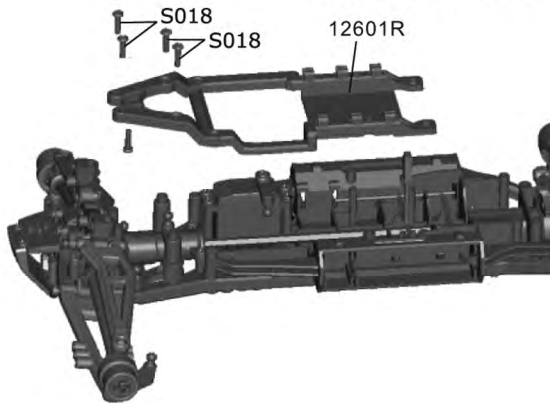
Servo Installation



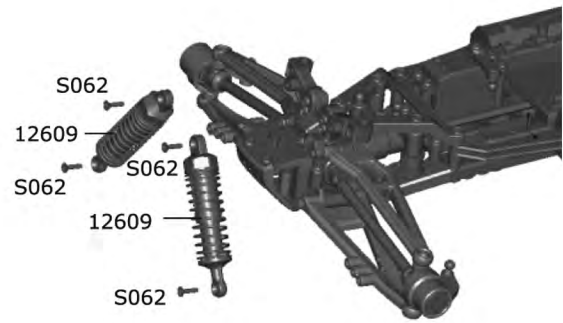
Motor Unit Assembly



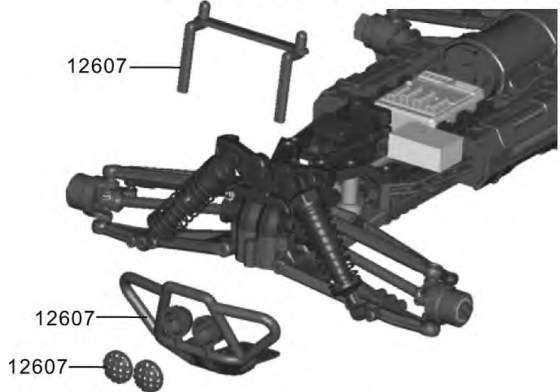
Upper Chassis Assembly



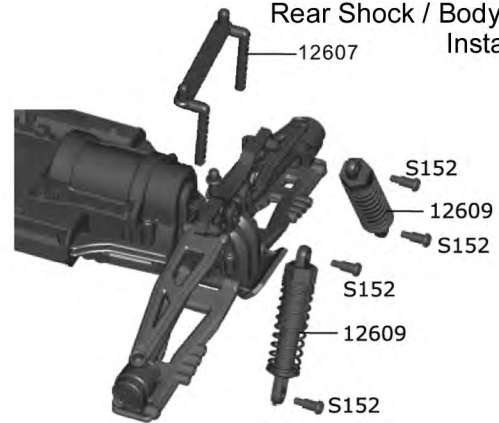
Front Shock Installation



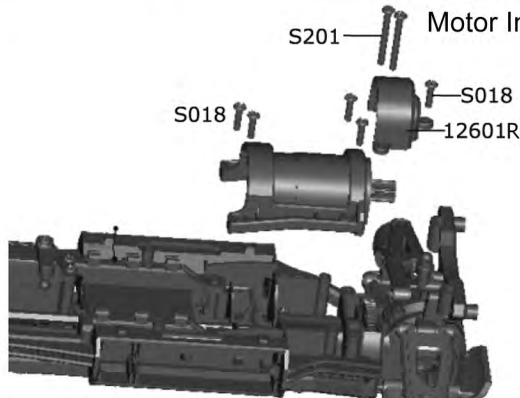
Front Bumper / Body Post Installation



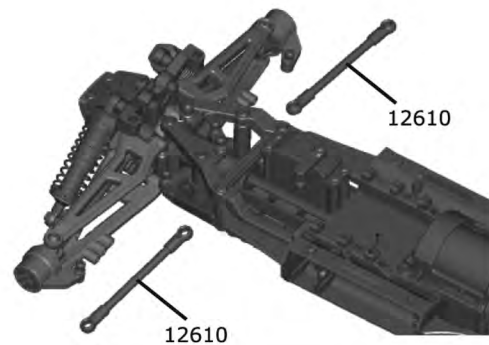
Rear Shock / Body Posts Installation



Motor Installation



Steering Linkage



EXPLODED VIEWS

Wing Installation



Tire / Wheel Installation



Tire installation is the same for front and rear.

PARTS IDENTIFICATION



12600BT-Chassis



12601R-Gear Box Housing / Upper Deck / Battery Covers



12602R-Spur + Pinion Gear / Motor Guard / Steering Bushings



12603-Suspension Arms (L/R are the same)



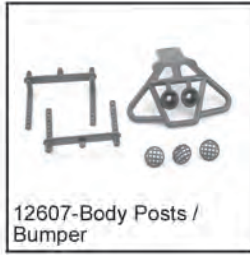
12604RTMT-Dogbones/Front and Rear Metal Wheel Shafts /Diff. Outdrive Cups



12605R-Hubs / Shock Towers



12606-Wing / Wing Mount



12607-Body Posts / Bumper



12609-Complete Shock Set (2-Front / 2-Rear)



12642- Li-ion Charger Only for 3.7v Li-ion batteries



12610-Front Steering Links / Servo Links



12611R-Differential Unit



12612-Center Driveshaft (4*200mm)



12613-Front Upper Suspension Hinge Pins (4pc) 3*28mm



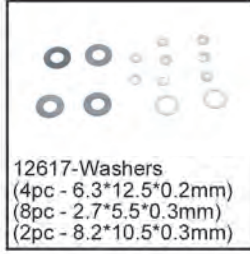
12614-Front/Rear Lower Susp. Hinge Pins (4pc) 2.5*36mm



12615-Dogbone Pins (4pc - 2*10mm) (6pc - 2.2*11.5mm)



12616BL-Motor Heatsink



12617-Washers (4pc - 6.3*12.5*0.2mm) (8pc - 2.7*5.5*0.3mm) (2pc - 8.2*10.5*0.3mm)



12670-2.4GHz Radio Controller



12633-3.7v, 1500MAH Li-ion Batteries (2pc)



16003N-Hub Carrier Pins (Front/Rear) 4pc - 2.5*23mm



25014-Battery Contact Strips



12518-Servo Saver Inserts



79513-Ball Bearings (8pc - 7.95x13x3.5mm)



H013-Ball Studs (8pc)



H021-Body Clips A/B Small



12010-Wheel Hex (8pc)



P011-Zip Ties - Small (8pc)



12060-Motor Pinion Gears 12T / Set Screws 3*3mm (2pc)



12621-Wheels / Tires Complete (2pc)

PARTS IDENTIFICATION



12522- ESC / Receiver



12640- RC 390 Motor



12030- 5-Wire Servo (19g)



12684-RO- Body Orange



12686-RB- Body Blue



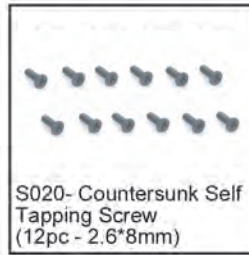
S011- Countersunk Self Tapping Screw (12pc - 2*15mm)



S016- Set Screw (12pc - 3*3mm)



S018- Round Head Self Tapping Screw (12pc - 2.6*8mm)



S020- Countersunk Self Tapping Screw (12pc - 2.6*8mm)



S029- Round Head Self Tapping Screw (12pc - 2.6*10mm)



S062- Countersunk Screw (12pc - 3*10mm)



S107- Round Head Self Tapping Screw (12pc - 2.6*15mm)



S109- Set Screw (12pc - 3*4mm)



S152- Step Screws 12pc - 3.5*4.5-3*4.6mm



S160- Flange Head Self Tapping Screw (12pc - 2.6*8mm)



S181- Countersunk Screw (12pc - 2.5*8mm)



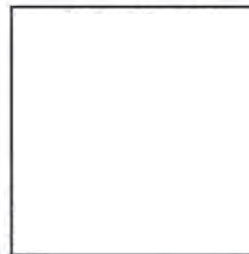
S201- Round Head Self Tapping Screw (12pc - 2.6*25mm)



H003- Flange Head Wheel Locknut M3 -6pc



H022- Wheel Hex.Pin 8pc-2*10mm



12203BT- Front Shock Set-Aluminum



12204- Rear Shock Set-Aluminum



12026- 13T Pinion Gears +Set Screws 3*3mm 2pc



12710C- Front CVD Shaft (metal)+nuts+screws+wheel pins+Diff. Outdrive Cups (metal)



12711C- Rear CVD Shaft (metal)+nuts+screws+wheel pins+Diff. Outdrive Cups (metal)



FAST  AFFORDABLE  FUN

www.redcatracing.com

MAN-KT12-2016-12-21

- To ensure that you are using the most recent version of this manual:
www.redcatracing.com/manuals/KT12MANUAL.pdf
- To ensure that you have the most recent version of the Electric Vehicles Manual:
www.redcatracing.com/manuals/ELECTRIC-MANUAL.pdf