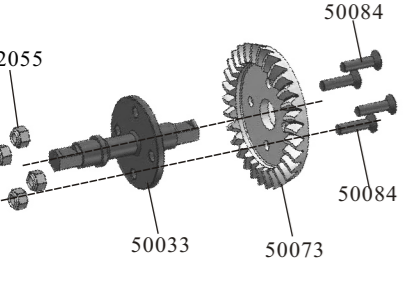
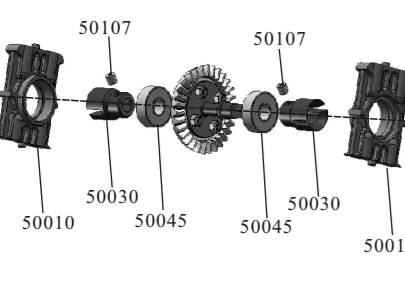


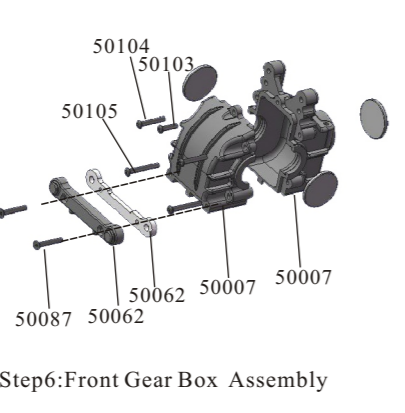
Step3:Diff. Drive Pinion Assembly



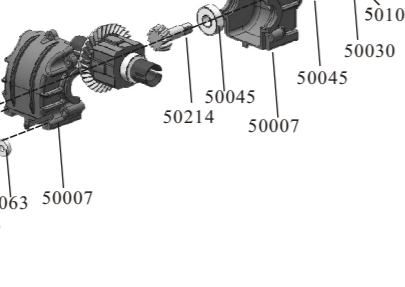
Step4:Diff. Gear Assembly



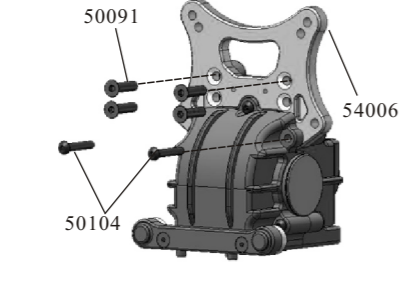
Step5:Driven Joint Cup Assembly



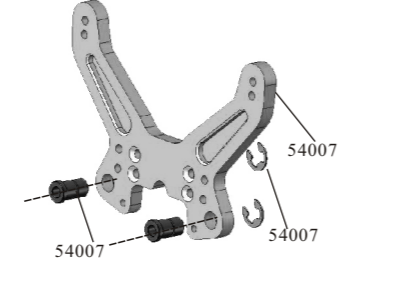
Step6:Front Gear Box Assembly



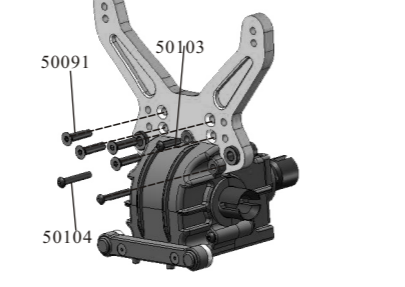
Step7:Rear Gear Box Assembly



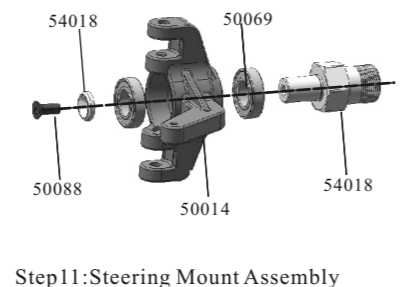
Step8:Front Shock Tower Assembly




Step9:Rear Susp. Bush Assembly



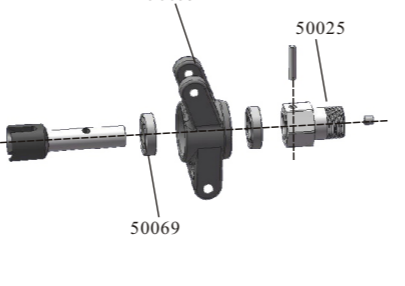
Step10:Rear Shock Tower Assembly



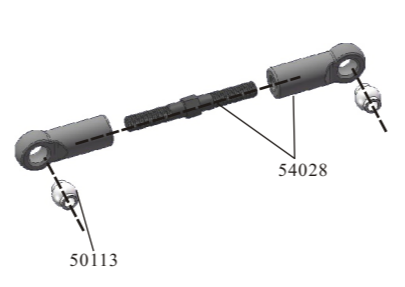
Step11:Steering Mount Assembly



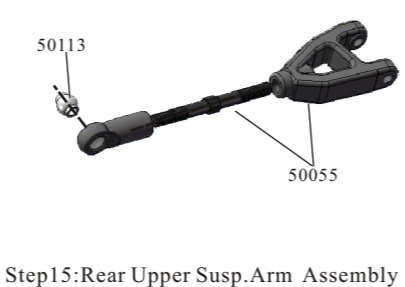
Step12:Caster Mount Assembly



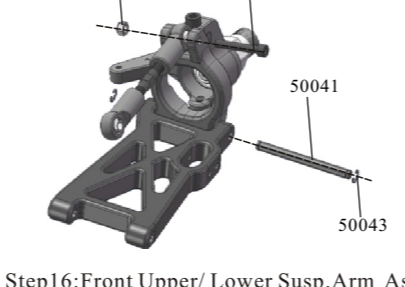
Step13:Rear Hub Carrier Assembly



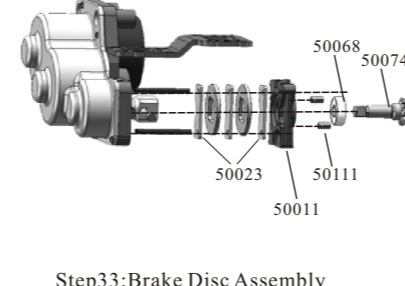
Step14:Front Upper Susp. Arm Assembly



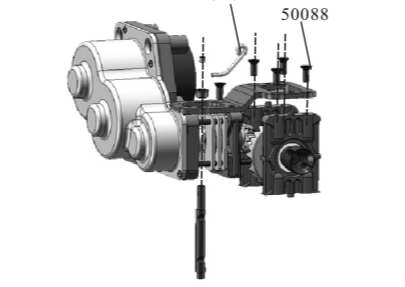
Step15:Rear Upper Susp. Arm Assembly



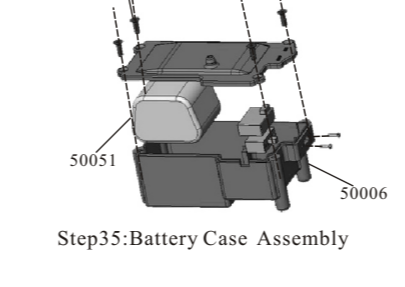
Step16:Front Upper/ Lower Susp. Arm Assembly



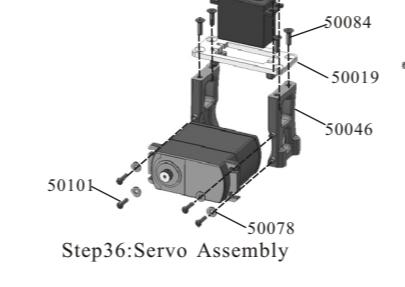
Step33:Brake Disc Assembly



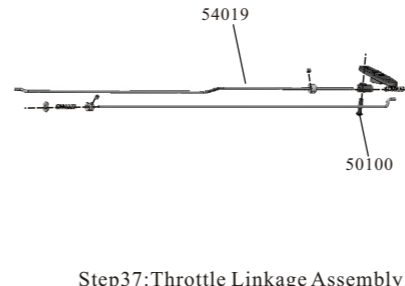
Step34: Radio Tray Assembly



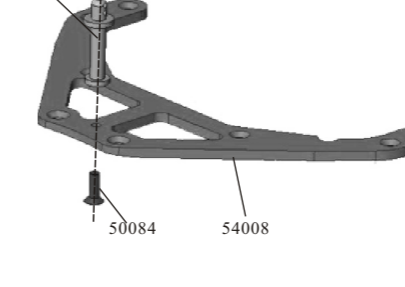
Step35:Battery Case Assembly




Step36:Servo Assembly



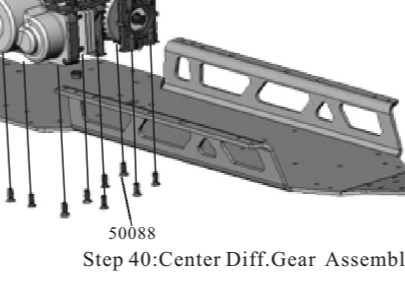
Step37:Throttle Linkage Assembly



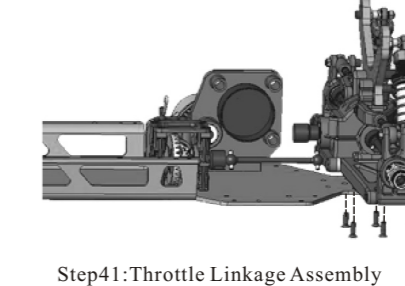
Step38:Body Post Assembly



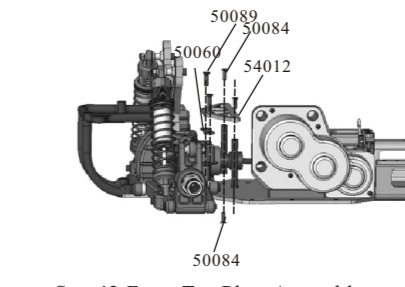
Step39:Servo linkage Assembly



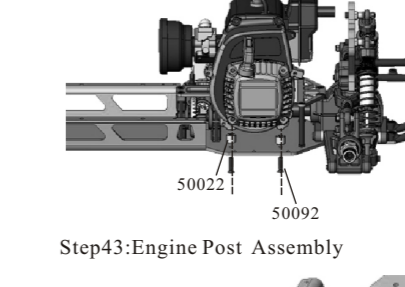
Step 40:Center Diff. Gear Assembly



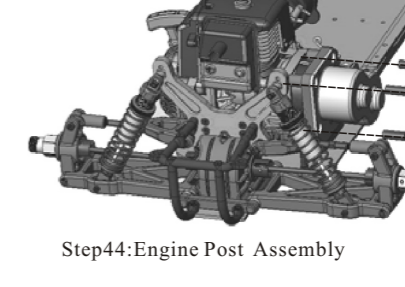
Step41:Throttle Linkage Assembly



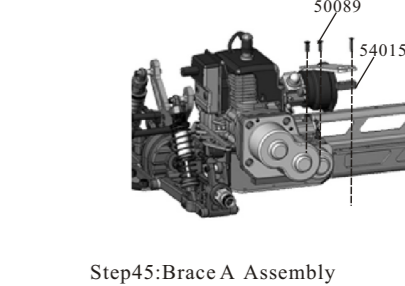
Step42:Front Top Plate Assembly



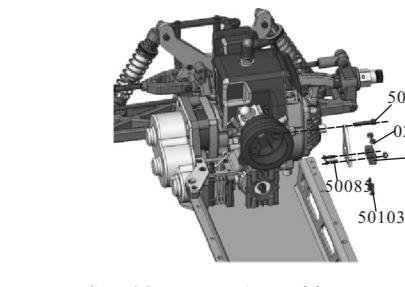
Step43:Engine Post Assembly



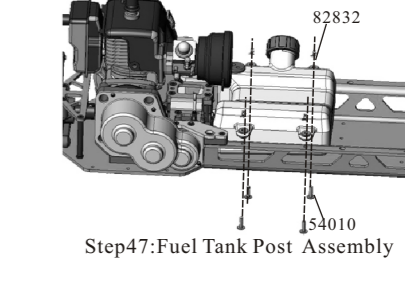
Step44:Engine Post Assembly



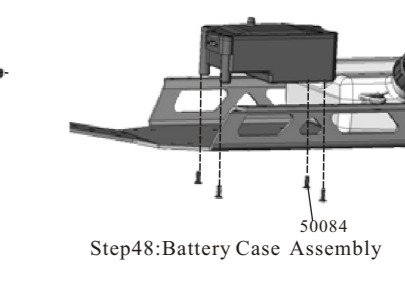
Step45:Brace A Assembly



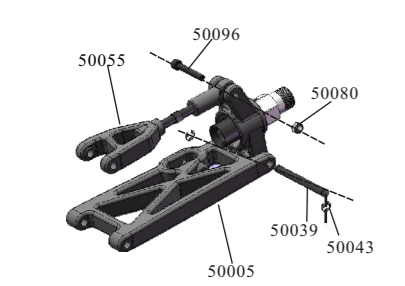
Step46: Brace B Assembly



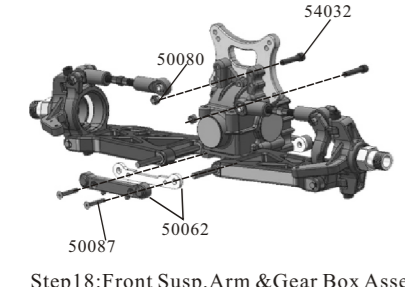
Step47:Fuel Tank Post Assembly



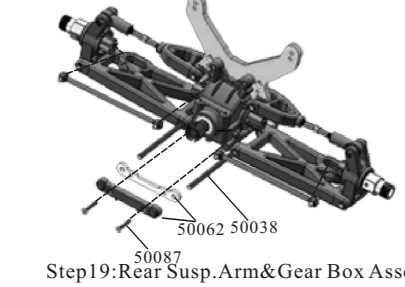
Step48:Battery Case Assembly



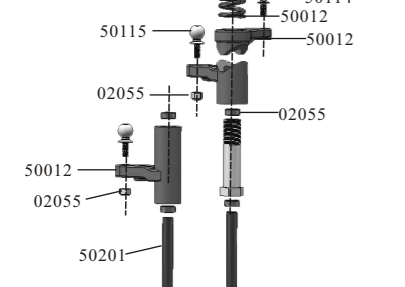
Step17:Rear Upper/Lower Susp. Arm Assembly



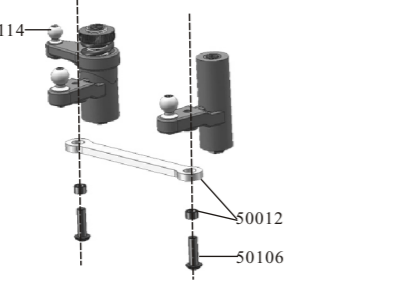
Step18:Front Susp. Arm & Gear Box Assembly




Step19:Rear Susp. Arm & Gear Box Assembly



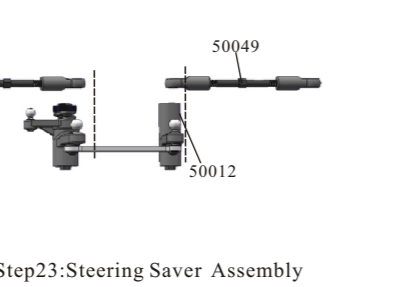
Step20:Servo Saver/Steering Assembly



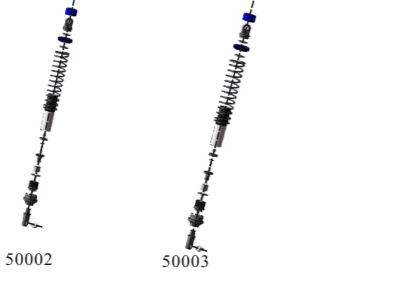
Step21:Ackerman Plate Assembly



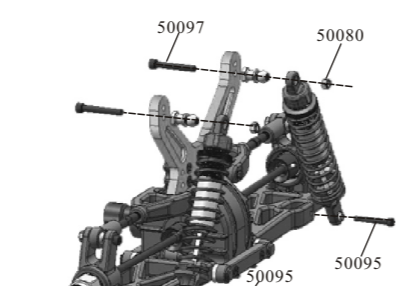
Step22:Steering Linkage Assembly



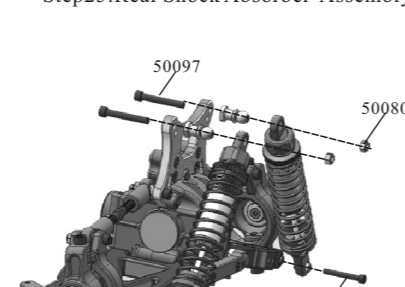
Step23:Steering Saver Assembly



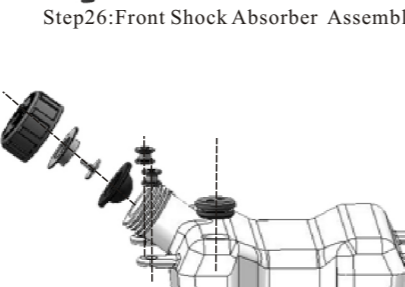
Step24:Front Shock Absorber Set(Short)
Rear Shock Absorber Set(Long)



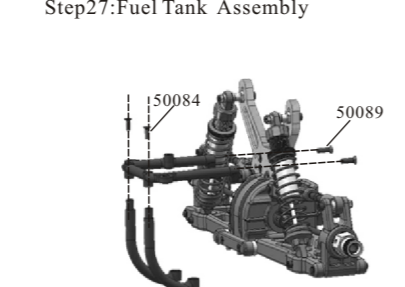
Step25:Rear Shock Absorber Assembly



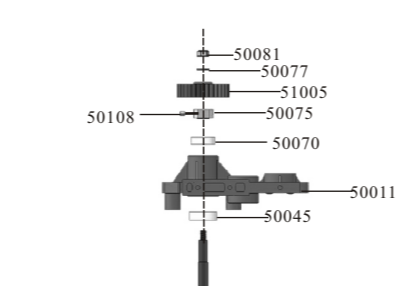
Step26:Front Shock Absorber Assembly



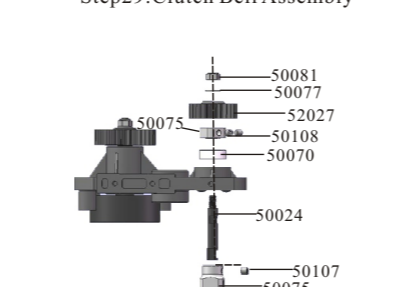
Step27:Fuel Tank Assembly



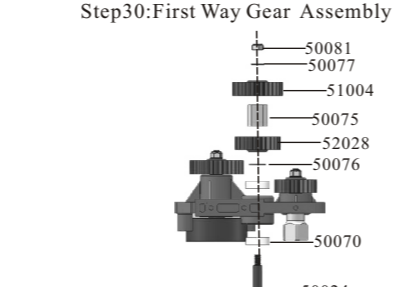
Step28: Wing Mount Assembly



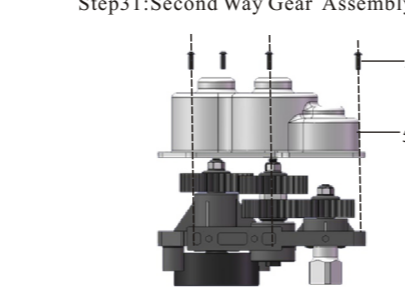
Step29:Clutch Bell Assembly



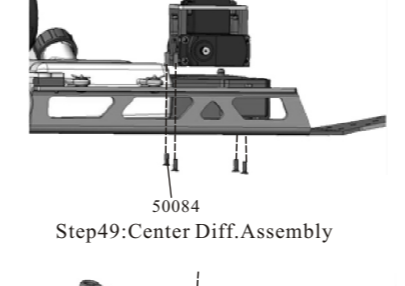
Step30:First Way Gear Assembly



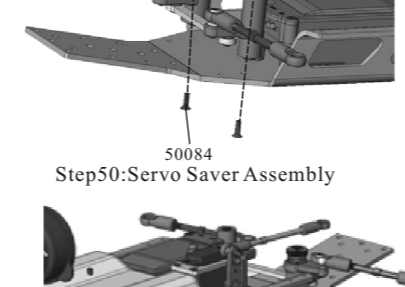
Step31:Second Way Gear Assembly



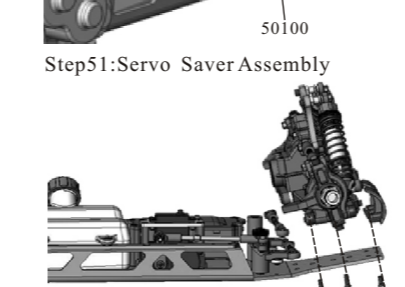
Step32: Gear Cover Assembly



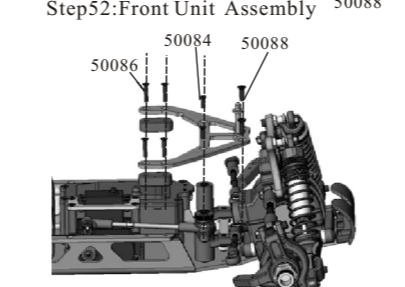
Step49:Center Diff. Assembly



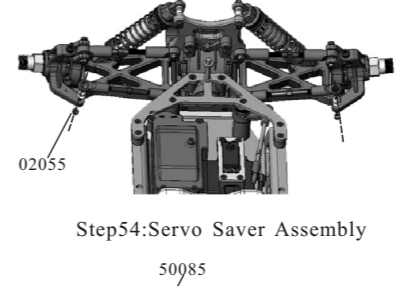
Step50:Servo Saver Assembly



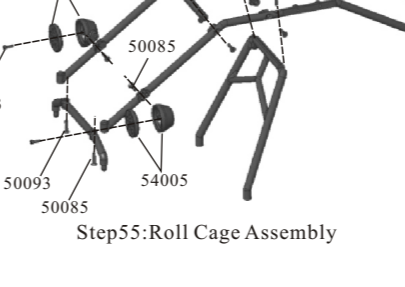
Step51:Servo Saver Assembly




Step53:Front Upper Top Plate Assembly



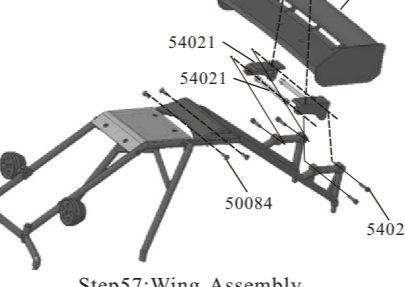
Step54:Servo Saver Assembly



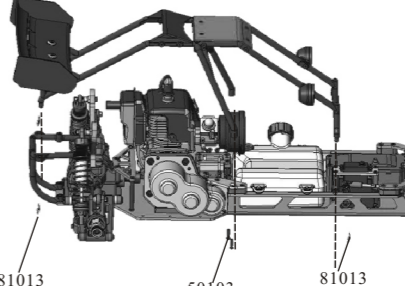
Step55:Roll Cage Assembly



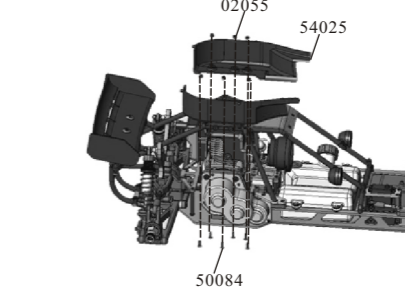
Step56:Roll Cage Cover Assembly



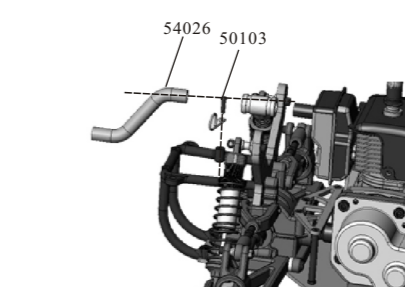
Step57:Wing Assembly



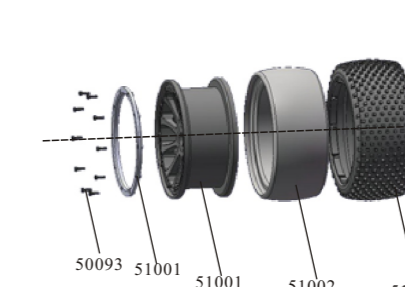
Step 58:Roll Cage Assembly



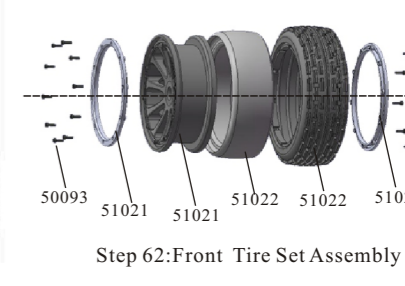
Step 59:Side Guard Assembly



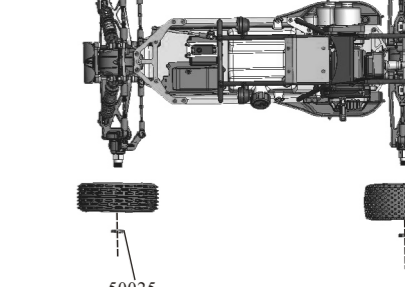
Step 60:Silicone Joint Tubing Assembly



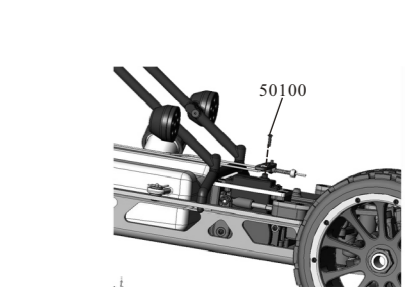
Step 61:Rear Tire Set Assembly



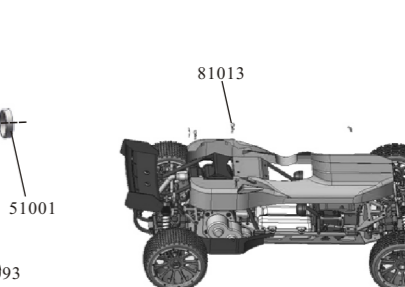
Step 62:Front Tire Set Assembly



Step 63:Wheel Nut Assembly



Step 64:Throttle Linkage Assembly



Step 65:Body Assembly